

October 6, 2016
702P04626



Xerox® Phaser® 3330

Xerox® WorkCentre® 3335/3345

Service Manual 10/6/16



Parts Lists

5

In this chapter...

- Serial Number Format
- Using the Parts List
- Parts List 1.0 Phaser 3330 Main
- Parts List 1.1 Phaser 3330 Top Cover
- Parts List 1.2 Right Cover
- Parts List 1.3 Front Cover Assembly
- Parts List 3.1 Frame (1 of 2)
- Parts List 3.1A Frame (2 of 2)
- Parts List 3.2 Bypass Tray
- Parts List 3.3 Fuser
- Parts List 3.4 Rear Frame
- Parts List 3.5 Drive
- Parts List 3.6 Feed Drive
- Parts List 4.1 Duplex Assembly
- Parts List 5.1 Tray 1
- Parts List 6.1 WorkCentre 3335/3345 Main
- Parts List 6.2 WorkCentre 3335/3345 Middle Cover
- Parts List 7.1 WorkCentre 3335 SCANNER and ADF
- Parts List 7.1A WorkCentre 3335 ADF
- Parts List 8.1 WorkCentre 3345 SCANNER and DADF
- Parts List 8.1A WorkCentre 3345 DADF
- Parts List 8.2 WorkCentre 3345 Lower DADF
- Parts List 8.3 WorkCentre 3345 Upper DADF
- Parts List 8.5 WorkCentre 3345 Drive DADF
- Parts List 9.2 WorkCentre 3335/3345 Platen
- Parts List 10.1 WorkCentre 3335/3345 Control Panel
- Parts List 12.1 Optional Tray 2 Feeder Main
- Parts List 12.2 Optional Tray Cassette A/S Assy
- Parts List 12.3 Optional Tray Frame ETS
- Parts List 12.4 Optional Tray Feeder Pick Up Unit Assy
- Parts List 12.2 Optional Tray Cassette A/S Assy
- Xerox Supplies and Accessories

Serial Number Format

Changes to Xerox products are made to accommodate improved components. When ordering parts include this information:

- Component's part number
- Product type or model number
- Serial Number of the printer

The serial number is located on the right-side frame near the Fuser.

The nine-digit serial number uses the format **PPPRSSSSS** or **MMMSSSSSc**.

- **PPP** = Three digit alphanumeric product code
- **MMM** = Three digit numeric manufacturing location code

Product Code	Location Code	Product
9BR	338	Phaser 3330_DN, 110V Engine
2BT	338	Phaser 3330_DN, 220V Engine
9BR	338	Phaser 3330_DNM, 110V Engine
2BT	338	Phaser 3330_DNM, 220V Engine
5BT	338	WorkCentre 3335_DN, 110V Engine
5BT	338	WorkCentre 3335_DNM, 110V Engine
6BT	338	WorkCentre 3335_DN, 220V Engine
6BT	338	WorkCentre 3335_DNM, 220V Engine
3BT	338	WorkCentre 3345_DN, 110V Engine
4BT	338	WorkCentre 3345_DN, 220V Engine
3BT	338	WorkCentre 3345_DNM, 110V Engine
4BT	338	WorkCentre 3345_DNM, 220V Engine

- **R** = Single digit numeric revision digit, 0-3. To be rolled when the ending serial number is reached or when a major product change occurs.
- **SSSS(S)** = Five or six digit numeric serial number based on the following table. The serial numbers are reset only when the ending number is reached or when the revision number is rolled.
- **c** = Check digit (correct number from check digit algorithm)

Product	Starting Serial Number	Ending Serial Number
Phaser 3330DN, 110V Engine	9BR 530000	9BR 559999
Phaser 3330DN, 220V Engine	338 560000x	338 699999x
Phaser 3330DNM, 110V Engine	9BR 371501	9BR 396500
Phaser 3330DNM, 220V Engine	338 460000x	338 529999x

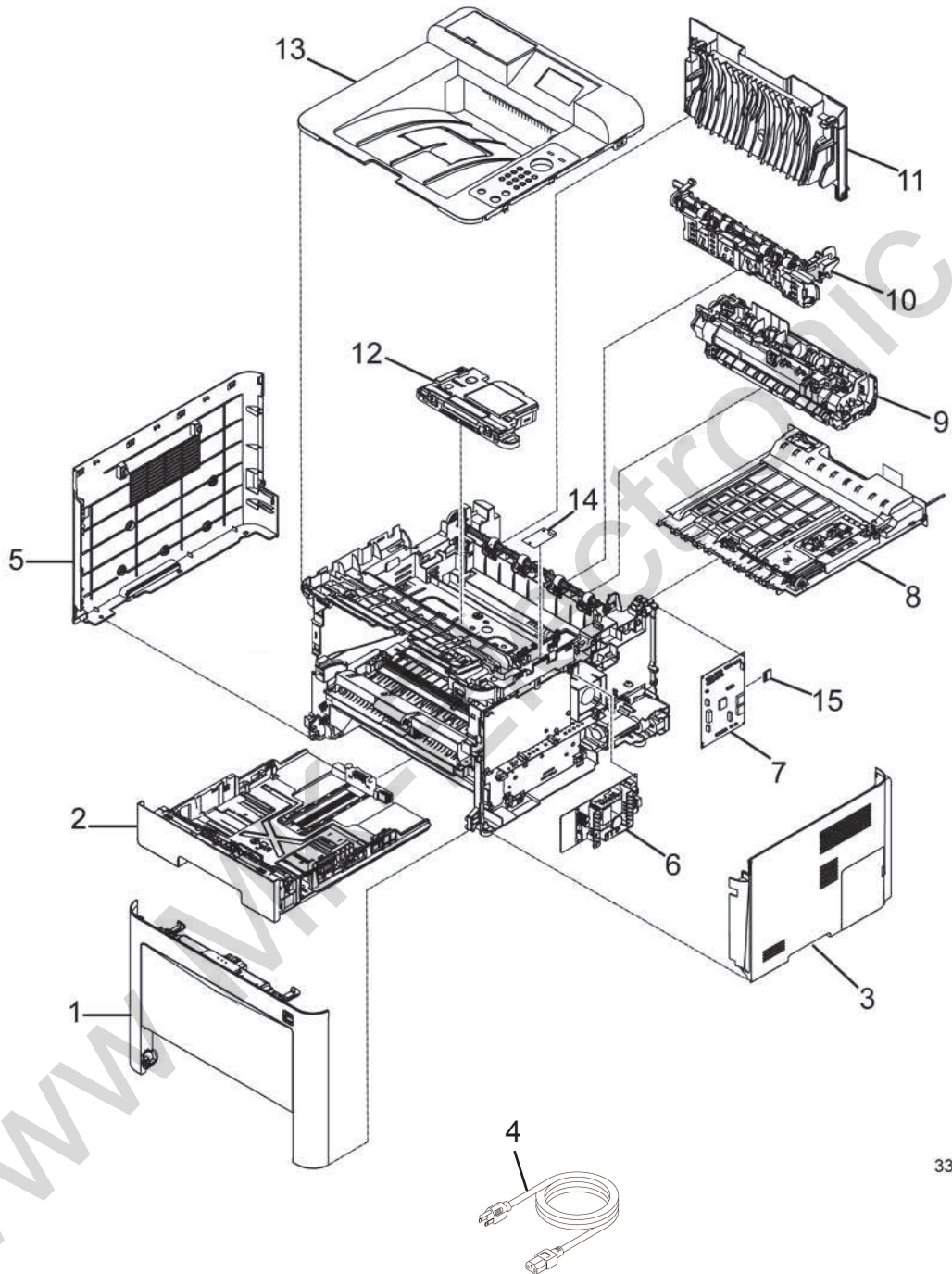
Product	Starting Serial Number	Ending Serial Number
WorkCentre 3335DNM, 110V Engine	5BT 700000	5BT 709999
WorkCentre 3335DNM, 220V Engine	338 710000x	338 721999x
WorkCentre 3335DN, 110V Engine	5BT 722000	5BT 739999
WorkCentre 3335DN, 220V Engine	338 740000x	338 799999x
WorkCentre 3345DNM, 110V Engine	3BT 800000	3BT 814999
WorkCentre 3345DNM, 220V Engine	338 815000x	338 832999x
WorkCentre 3345DN, 110V Engine	3BT 833000	3BT 862999
WorkCentre 3345DN, 220V Engine	338 863000x	338 947999x

Using the Parts List

- **ID No.:** The callout number from the exploded part diagram.
- **Name/Description:** The name of the part to be ordered and the number of parts supplied per order.
- **Part Number:** The material part number used to order that specific part.
- Parts identified throughout this manual are referenced **PL#.#.#**; For example, PL3.1.10 means the part is item 10 of Parts List 3.1.
- A Black triangle preceding a number followed by a parenthetical statement in an illustrated parts list means the item is a parent assembly, made up of the individual parts called out in parentheses.
- The notation “**with X~Y**” following a part name indicates an assembly that is made up of components X through Y. For example, “1 (with 2~4)” means part 1 consists of part 2, part 3, and part 4.

Note: Only parts with part numbers are available for ordering. Parts without part numbers are available on the parent assembly.

Parts List 1.0 Phaser 3330 Main



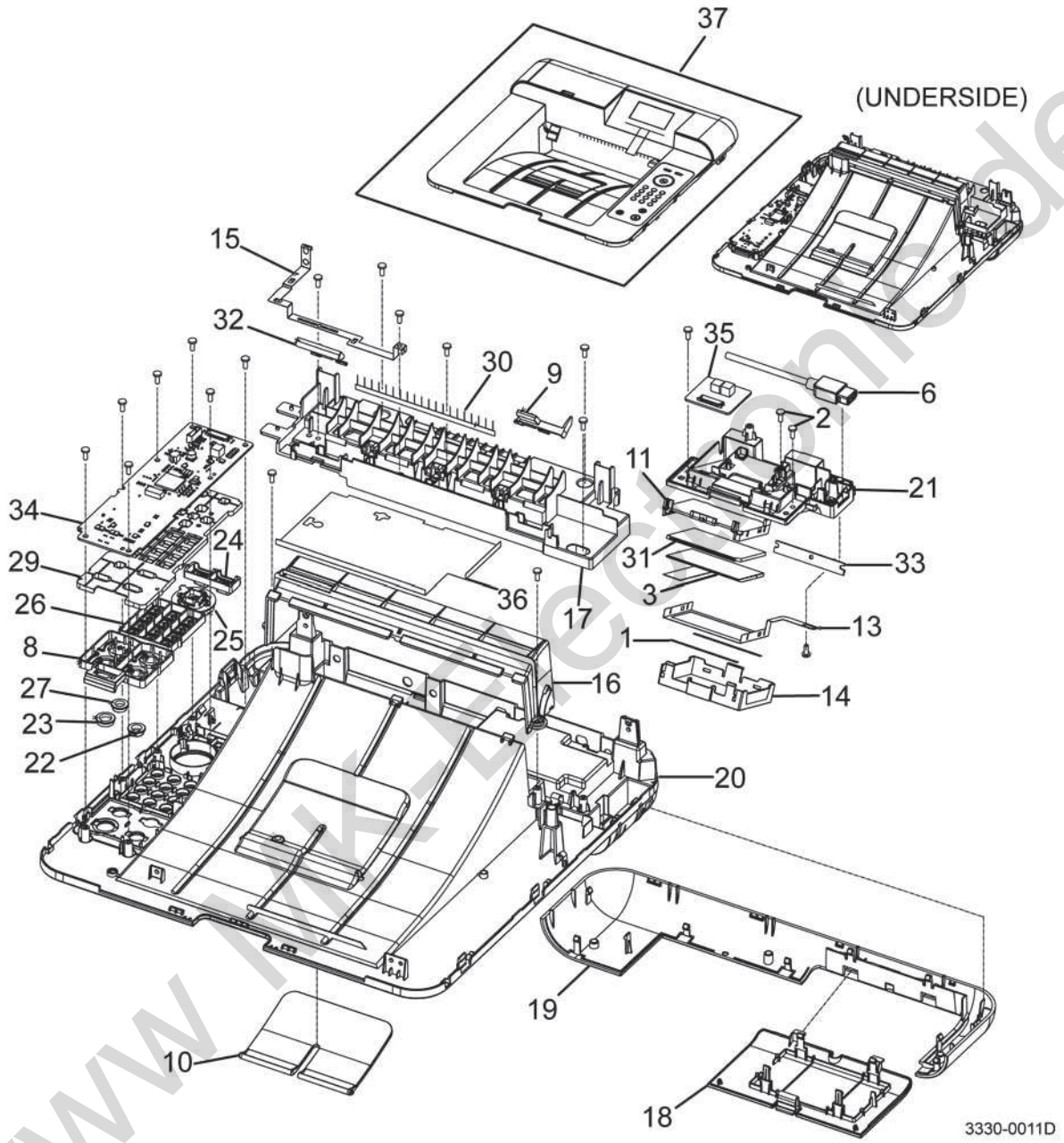
3330-0010-E

Parts List 1.0 Phaser 3330 Main

Item	Name	Part Number
1	Front Cover Assembly (REF: PL 1.3)	002N03326
2	Tray 1 Cassette Assembly (REF: PL 5.1)	050N00694
3	Right Cover Assembly	002N03325
4	Power Cord	See Power Cords
5	Left Cover	002N03324
6	SMPS (110V)	105N02330
-	SMPS (220V)	105N02331
7	Main PWB (See Note)	140N63796
8	Duplex Assembly (REF: PL 4.1)	022N02856
9	Fuser (110V) (REF: PL 3.3)	126N00410
-	Fuser (220V) (REF PL 3.3)	26N00411
10	Rear Frame (REF: PL 3.4)	001N00534
11	Rear Door	095N00415
12	LSU (Laser Unit)	130N01853
13	Top Cover	002N03323
14	Wireless Board	140N63805
15	SD Card	091N80340

Note: All Main PWB spare parts are configured with a SOLD service plan. Any device with a METERED billing plan will require a Plan Conversion Code to be entered to re-enable metered support. Failure to do this may result in Invalid Toner Messages. Always follow all steps outlined in the [Main PWB](#) replacement procedure.

Parts List 1.1 Phaser 3330 Top Cover



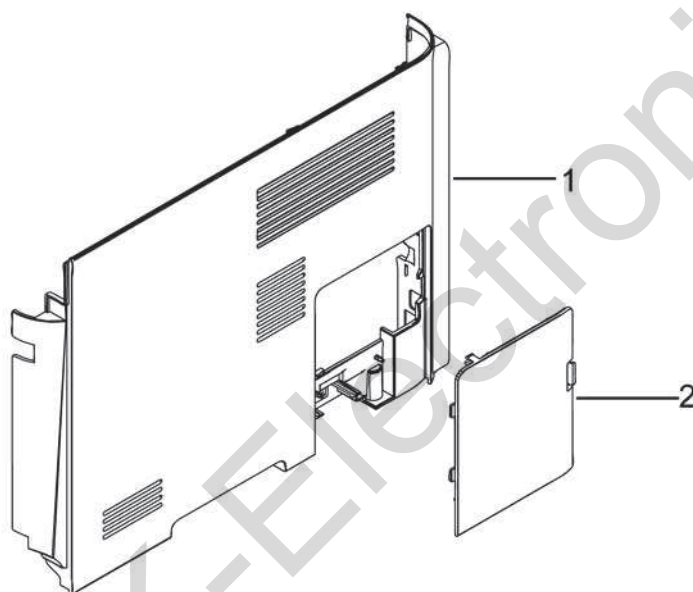
PL 1.1 Phaser 3330 Top Cover

Item	Name	Part Number
1	Tape	-
2	Screw	-
3	LCD	144N00219
4	CBF Harness	-
5	LCD Flat Cable	-
6	Wire Harness-SPF NFC Host	-
7	Wire Harness-SFP OPE	-
8	Wire Harness-BLU	-
9	Bin Full Stacker	-
10	Main Stacker	-
11	LCD Holder	-
12	Key Holder	-
13	LCD Ground	-
14	LCD Cover	-
15	Exit Ground	-
16	Exit Cover	-
17	Path Cover	-
18	Card Reader Cover	-
19	Top DECO Cover	-
20	Top Cover	-
21	LCD Cover Lower	-
22	WPS Key	-
23	Power Key	-
24	Navigation Key	-
25	OK Key	-
26	Numerical Key	-
27	Stop Key	-
28	Menu Key	-
29	OPE Pad Key	-
30	Antistatic Brush	-

Parts Lists

Item	Name	Part Number
31	Backlight Lens	-
32	Sub M Stacker PMO	-
33	BLU PBA	140N63803
34	OPE PBA	140N63802
35	OPE Joint PBA Sub	140N63804
36	Protect Sheet	-
37	Top Cover	002N03323

Parts List 1.2 Right Cover



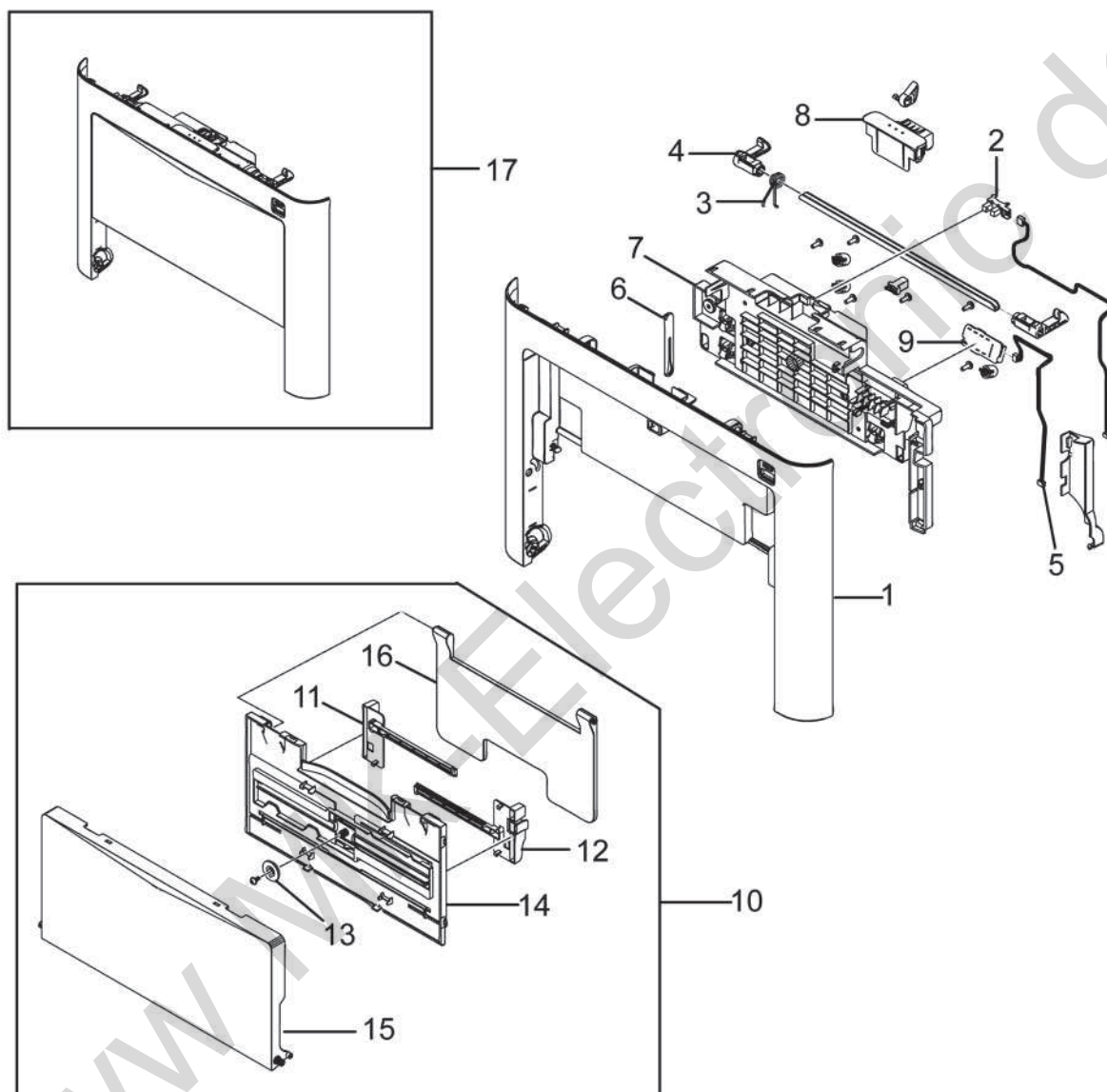
3330-0012-A

Parts List 1.2 Right Cover

Item	Name	Part Number
1	Right Cover	-
2	SCF Cover	-
-	Right Cover Assembly	Refer to PL 1.0, Item 3 (page 5-4)

www.MK-Electronic.de

Parts List 1.3 Front Cover Assembly

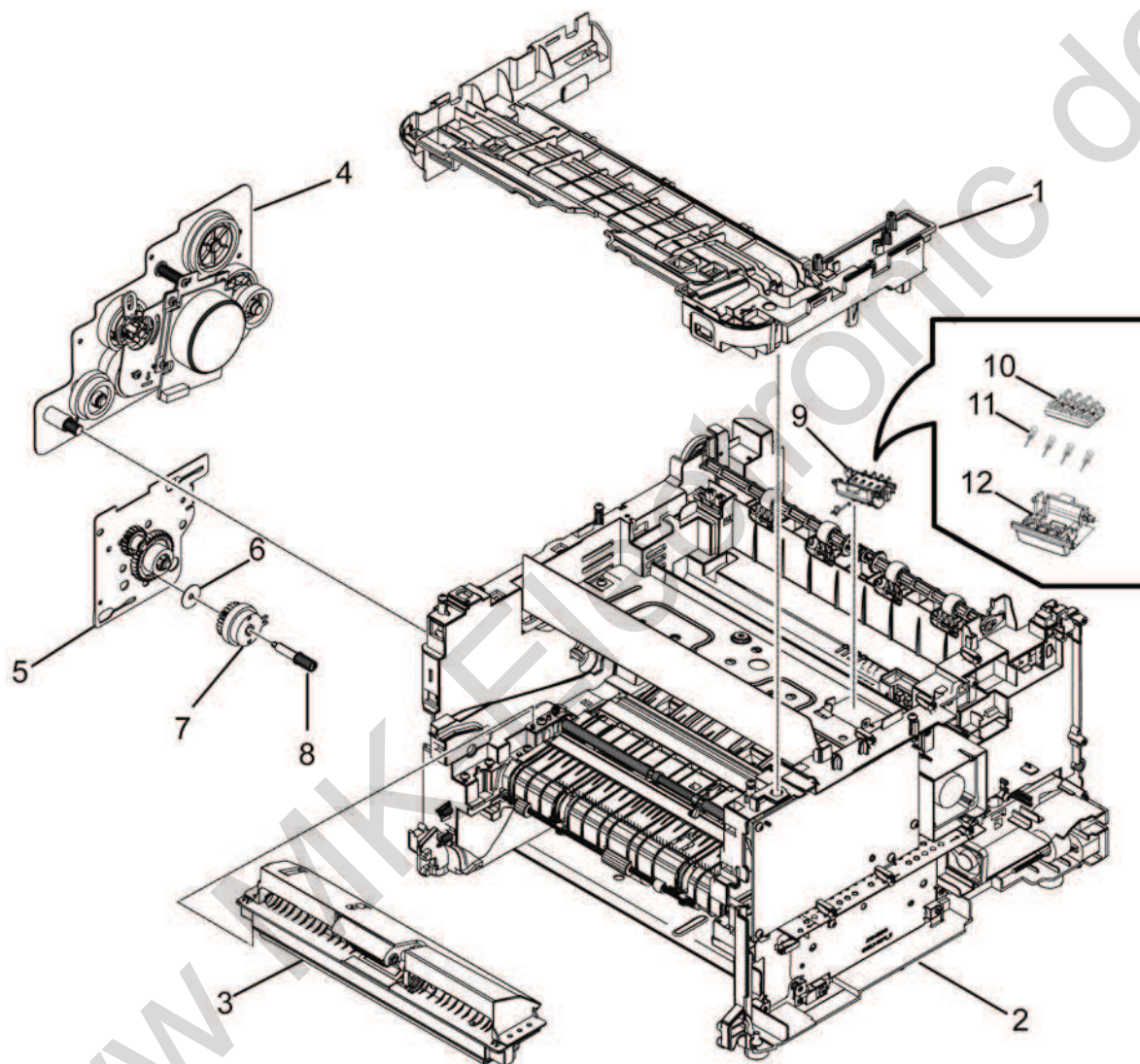


3330-0013B

Parts List 1.3 Front Cover Assembly

Item	Name	Part Number
1	Front Cover	-
2	Front Door Sensor	130N01601
3	TS Spring	-
4	Front Locker	-
5	Zcrum Harness	-
6	Cover Link	-
7	Front Cover Inner	-
8	Front Button	-
9	Crum PWB	140N63808
10	Front Door	-
11	MP Left Adjust	-
12	MP Right Adjust	-
13	Rack Pinion Gear (FX)	-
14	MP Lower Tray	-
15	Upper Tray	-
16	MP Extension Tray	-
17	Front Cover Assembly Note: Move the Tag Matrix Label to the new Front Cover Assembly.	002N03326

Parts List 3.1 Frame (1 of 2)

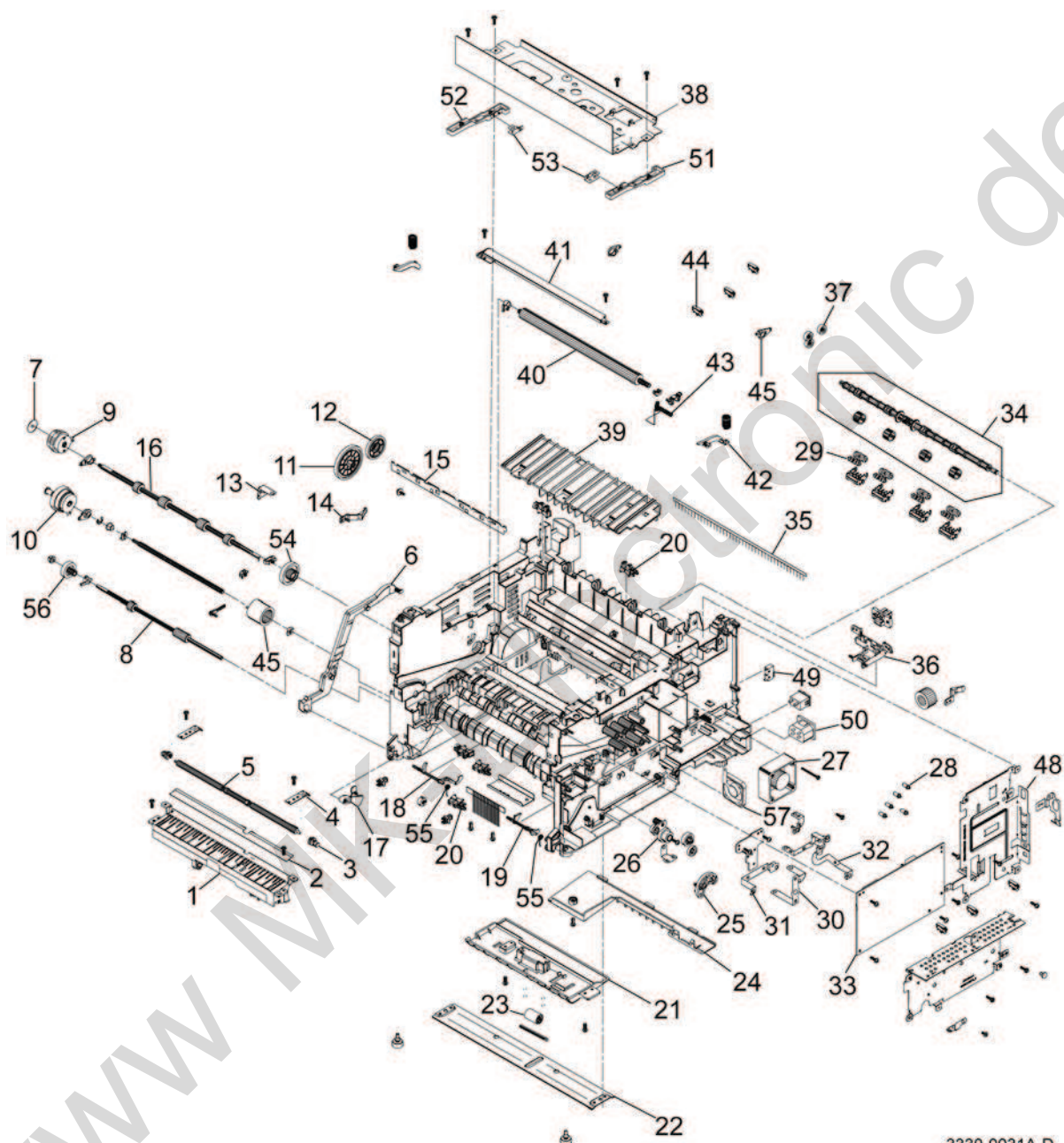


3330-0031-C

Parts List 3.1 Frame (1 of 2)

Item	Name	Part Number
1	Top Cover Inner	-
2	Frame-ETC (REF: PL 3.1A)	-
3	MP (Bypass Tray) (REF: PL 3.2)	130N01676
4	Drive (REF: PL 3.5)	007N01826
5	Feed Drive (REF: PL 3.6)	022N02858
6	Clutch Spacer	-
7	Electric Clutch (Bypass Tray Clutch)	121N01219
8	Regi Feed Shaft	-
9	Crum	-
10	Holder- Crum Upper	019N01077
11	Terminal-Crum	116N00276
12	Holder-Crum Lower	019N01076

Parts List 3.1A Frame (2 of 2)



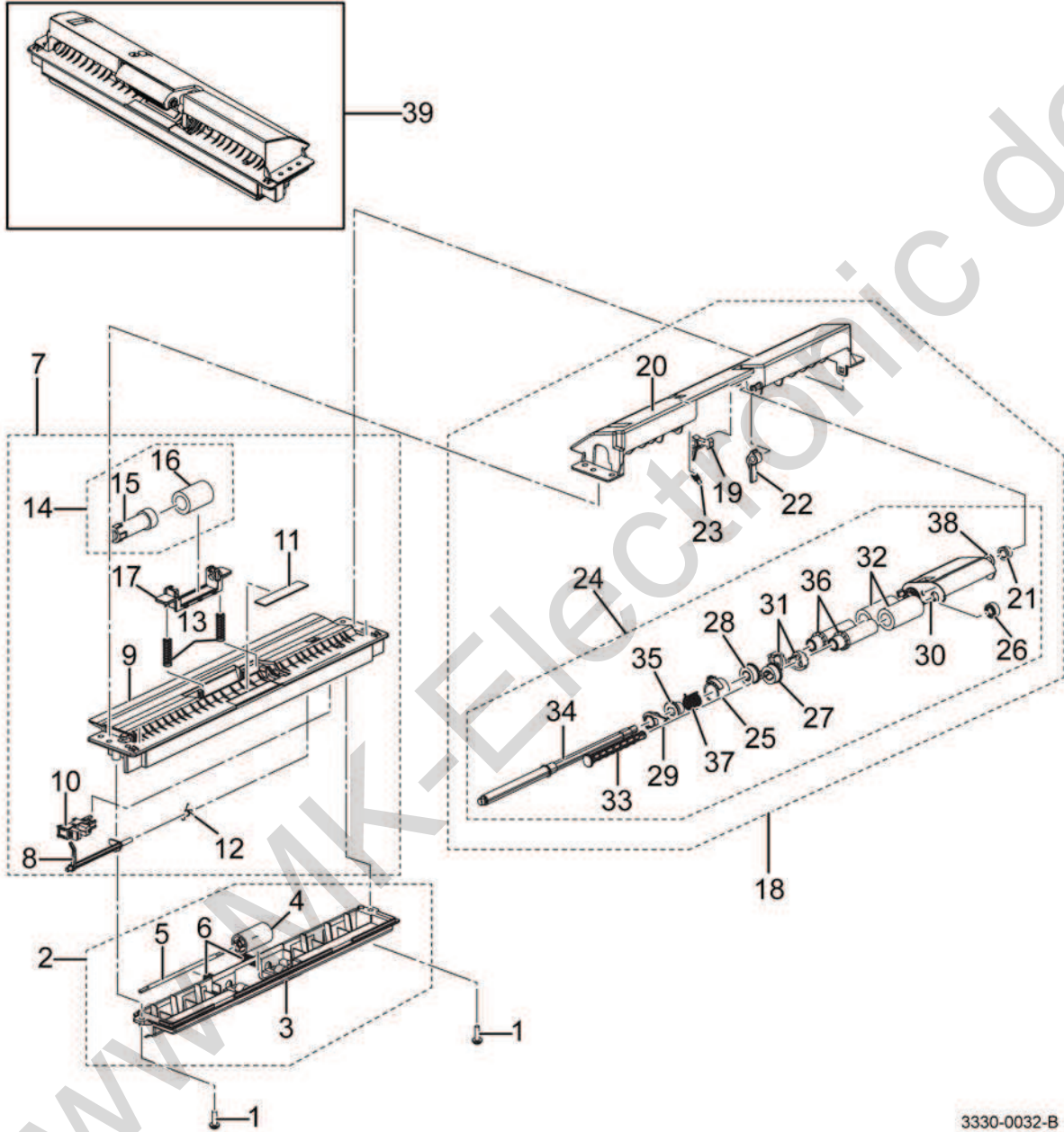
3330-0031A-D

Parts List 3.1A Frame (2 of 2)

Item	Name	Part Number
1	Duplex Frame Guide	-
2	Path Duplex Sheet	-
3	Idle Feed M Bush	-
4	Bushing Push P Plate	-
5	Idle Feed Shaft	-
6	Bar Coupling Lever	005N01146
7	Clutch Spacer	-
8	Feed Roller	022N02673
9	Electric Clutch (Registration Clutch)	121N01219
10	Electric Clutch (Pickup Clutch)	121N01265
11	96 Idle Exit Gear	007N01707
12	65 Exit Gear	-
13	Gear BRKT Ground	-
14	CST Locker PMO	-
15	SAW P Plate	-
16	Regi Feed Shaft	-
17	Empty Actuator	120N00552
18	Regi Actuator	-
19	Feed Actuator	-
20	Regis Sensor, Exit Sensor	130N01574
21	Path EX Duplex Frame	-
22	Bottom Frame Plate	-
23	SCF M Idle Roller	-
24	Harness Cap	-
25	Duplex Swing Bracket	-
26	23/23 RDCN Gear 35 Feed Actuator	007N01706
27	Exhaust Fan	-
28	Shaft	-
29	Decurler Roller Frame	-
30	Paper BRKT Ground	-
31	HVPS Ground	-
32	LSU Bracket Ground	-
33	HVPS	105N02248
34	Exit Roller Frame	-
35	Antistatic Brush	-

Item	Name	Part Number
36	Exit Sensor Holder	130N01669
37	19 DR Swing Gear	007N01705
38	LSU Bracket	-
39	RIB TR Guide	-
40	Bias Transfer Roller (BTR)	108R01469
41	Transfer Earth Plate	-
42	Rotor Core	-
43	TR Terminal	-
44	Cable Clamp	-
45	Pick Up Roller	Part of Tray 1 Feed Roll Maintenance Kit
48	Controller Shield	-
49	Rear Door & Bin Full Sensor Harness	-
50	Inlet-1 AC Harness	-
51	Right LSU Holder BRKT	-
52	Left LSU Holder BRKT	-
53	Extension Ground BRKT	-
54	29 Idle Feed Gear	007N01827
55	Spring-TS	009N01653
56	Gear-Feed 20	022N02672
57	Fan-Type1 (SMPS Fan)	127N07834

Parts List 3.2 Bypass Tray

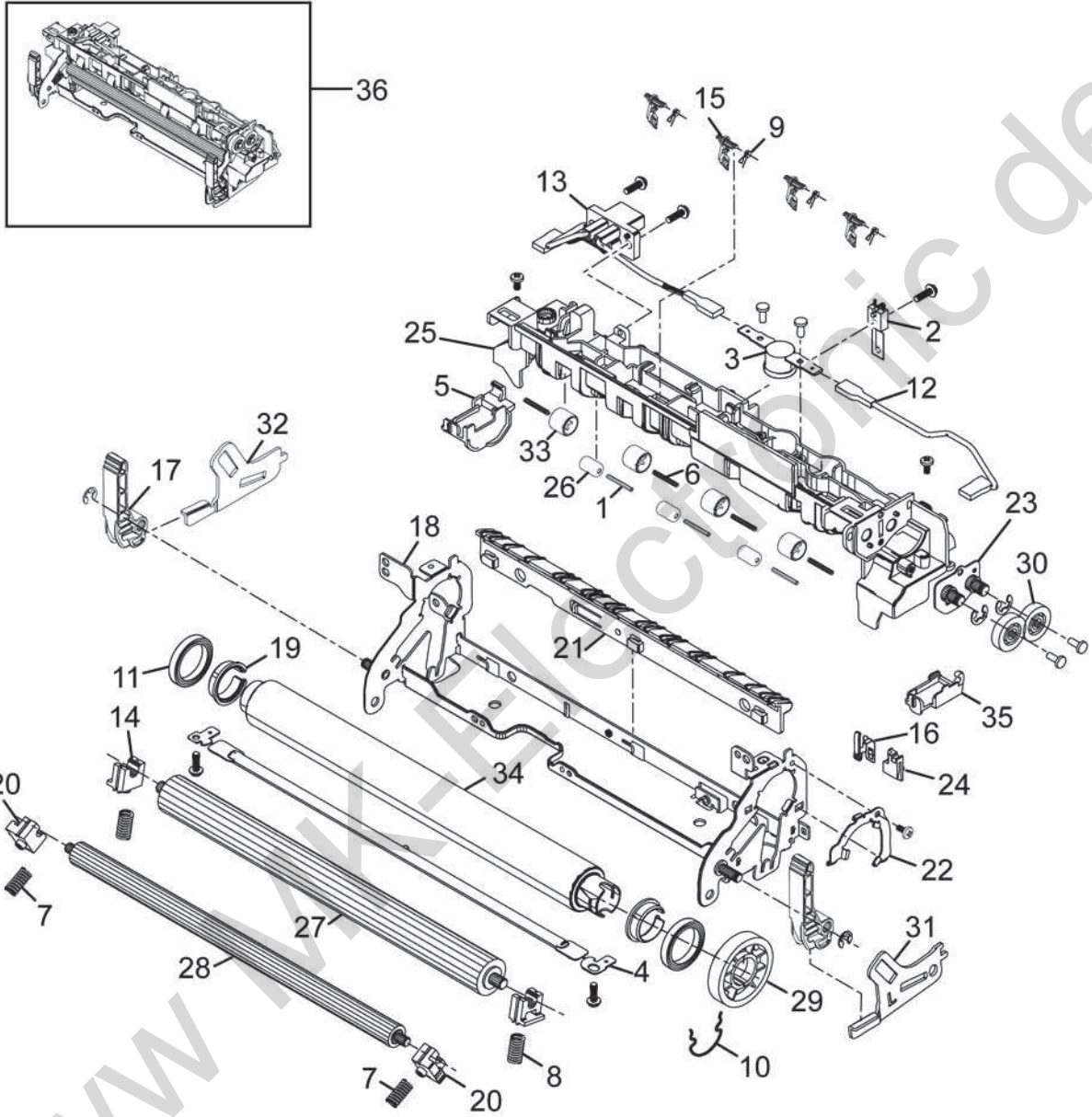


3330-0032-B

Parts List 3.2 Bypass Tray

Item	Name	Part Number
1	MP Tapttype Screw	-
2	Idle Holder MP	-
3	Roller Cover	-
4	Idler Roller	-
5	ETC Pin	-
6	CS Spring	-
7	Lower MP	-
8	Empty MP Actuator	-
9	Lower MP Guide	-
10	Bypass Tray Paper Entry Sensor	130N01574
11	Cassette Pad RPR	-
12	TS Spring	-
13	CS Spring	-
14	Retard Roller Cassette (Retard Roller) (Includes 15, 16)	022N02677
15	Torque Limiter Coupler	-
16	TL Rubber	-
17	Retard Shaft Holder	006N01347
18	Upper MP	-
19	Arm MP Actuator	-
20	Upper MP Guide	-
21	Brush PMO	-
22	MP Stopper	-
23	ES Spring	-
24	Pick Up MP (Bypass Tray Pick Up Assembly)	130N01675
25	MP Collar	-
26	Idle Pick Up Gear	-
27	Joint Gear	-
28	Joint2 MP Gear	-
29	Shaft Holder	-
30	Pick Up MP Housing	-
31	Pick Up Clutch Sub PMO	-
32	Pick Up Rubber	-
33	Pick Up Sub Shaft	-
34	Pick Up MP Shaft	-
35	MP Clutch Sleeve	-
36	MP Sleeve	-
37	TS Spring	-
38	Plain Washer	-
39	MP (Bypass Tray)	130N01676

Parts List 3.3 Fuser

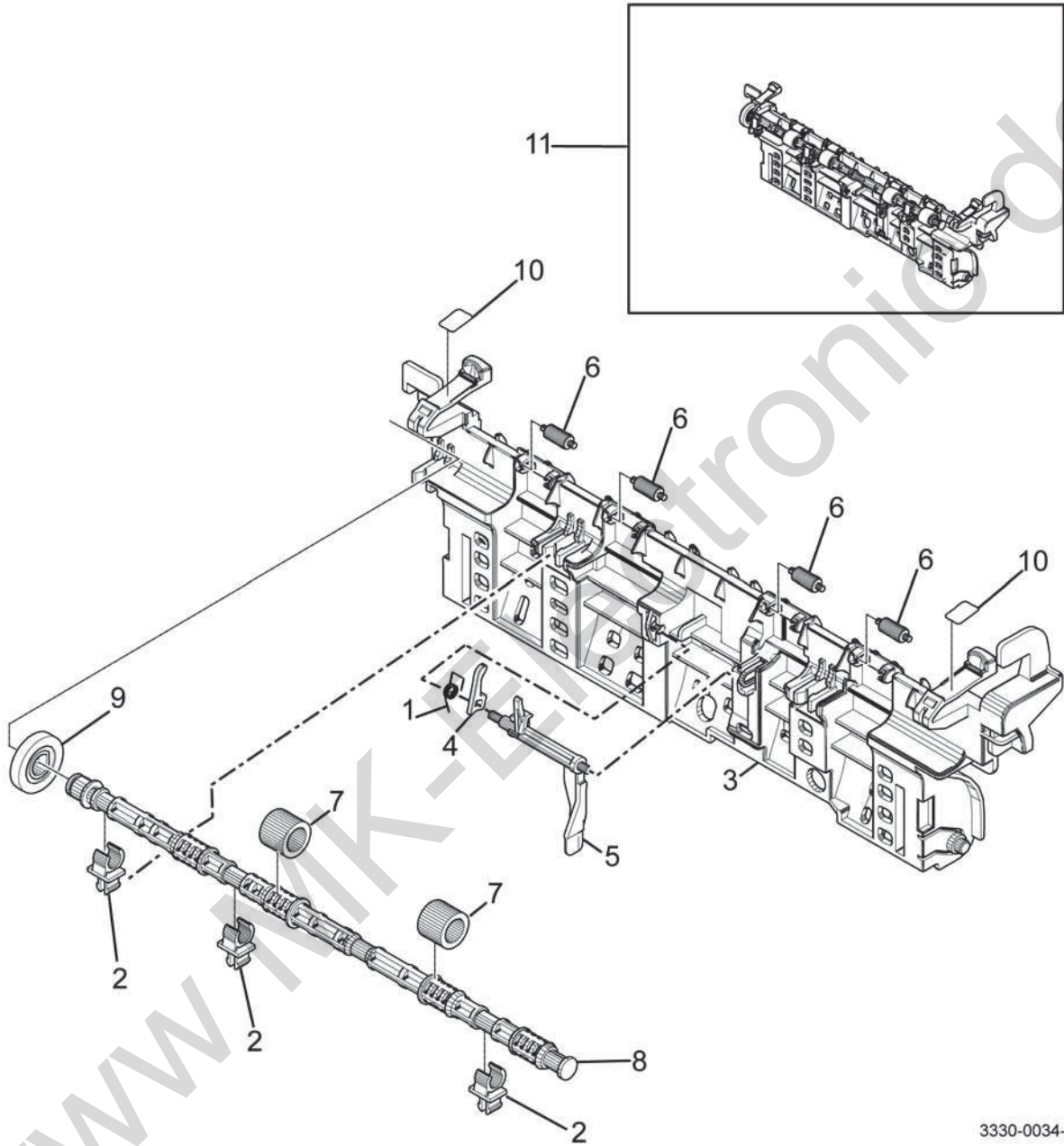


3330-0033-A

Parts List 3.3 Fuser

Item	Name	Part Number
1	F/UP Idle Shaft IEX	-
2	NTC Assy Thermistor	130N01668
3	Thermostat	-
4	Halogen Lamp (110V/220V)	-
5	R Lamp Cap	-
6	ETC Spring	-
7	CS Spring	-
8	CS Spring	-
9	ETC Spring	-
10	ETC Spring	-
11	Ball Bearing	-
12	Joint Fuser Harness	-
13	Con Fuser Harness	-
14	PR 1st Bush	-
15	Claw Guide	-
16	Ground PR Guide	-
17	Jam Holder	-
18	Fuser Frame	-
19	HR Bush	-
20	2nd PR Bush	-
21	Input Guide	-
22	Bearing Bracket	-
23	Gear Bracket	-
24	PR M Ground	-
25	Fuser Cover	-
26	Idle Roller	-
27	Pressure Roller	-
28	2nd Pressure Roller	-
29	Fuser Gear	-
30	Exit Idle Gear	-
31	L Jam Link Lever	-
32	R Jam Link Lever	-
33	Exit Idle Roller	-
34	Heat Roller	-
35	L Lamp Cap	-
36	Fuser (110V)	126N00410
	Fuser (220V)	126N00411

Parts List 3.4 Rear Frame



3330-0034-B

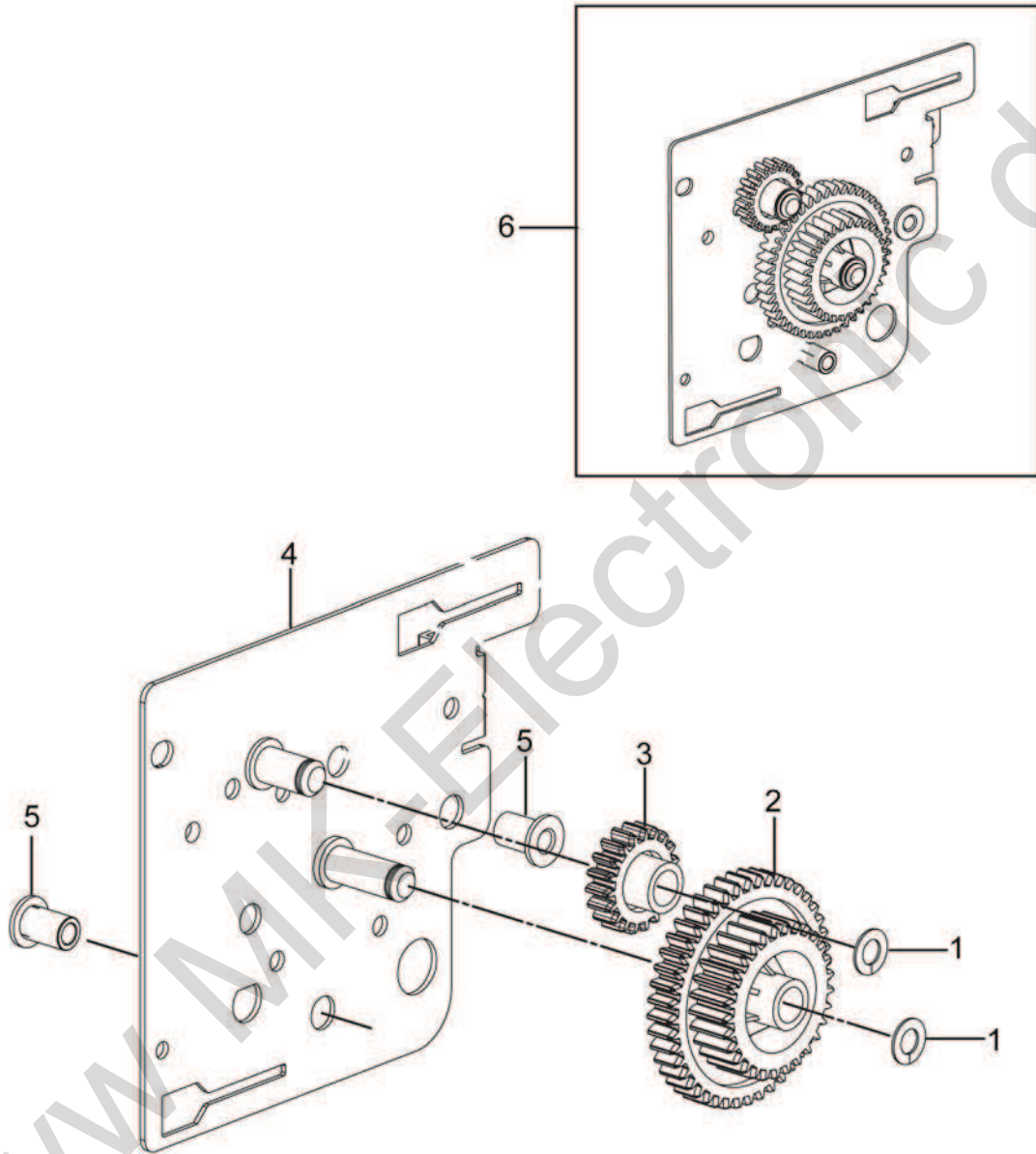
Part List 3.4 Rear Frame

Item	Name	Part Number
1	ETC Spring	-
2	TX Bush	-
3	Rear Guide	-
4	Actuator Holder	-
5	Exit Actuator	-
6	Idle Exit Roller	-
7	Silicon Exit Roller (1 pc)	022N02675
8	Exit F/UP Shaft (Exit Roller)	-
9	Exit Z19 Gear	-
10	One Touch Label	-
11	Rear Frame	001N00534

Parts List 3.5 Drive

Item	Name	Part Number
1	BLDC Motor (Main Drive Motor)	127N07912
2	Motor Bracket	-
3	95-81 Exit Gear	-
4	65-28 Feed Gear	022N02857
5	79 IN DR Fuser Gear	-
6	59 Idle Gear	-
7	73 Coupler Gear	-
8	53 Out DR OPC Gear	-
9	73 Idle Gear	-
10	Clutch Hub	-
11	CS Spring	-
12	Coupler	-
13	69 IN DR OPC Gear	-
14	Cam Coupler	-
15	29 DR Fuser Gear	-
16	Gear Bracket	-
17	Clutch Hub Gear	-
18	Drive	007N01826

Parts List 3.6 Feed Drive

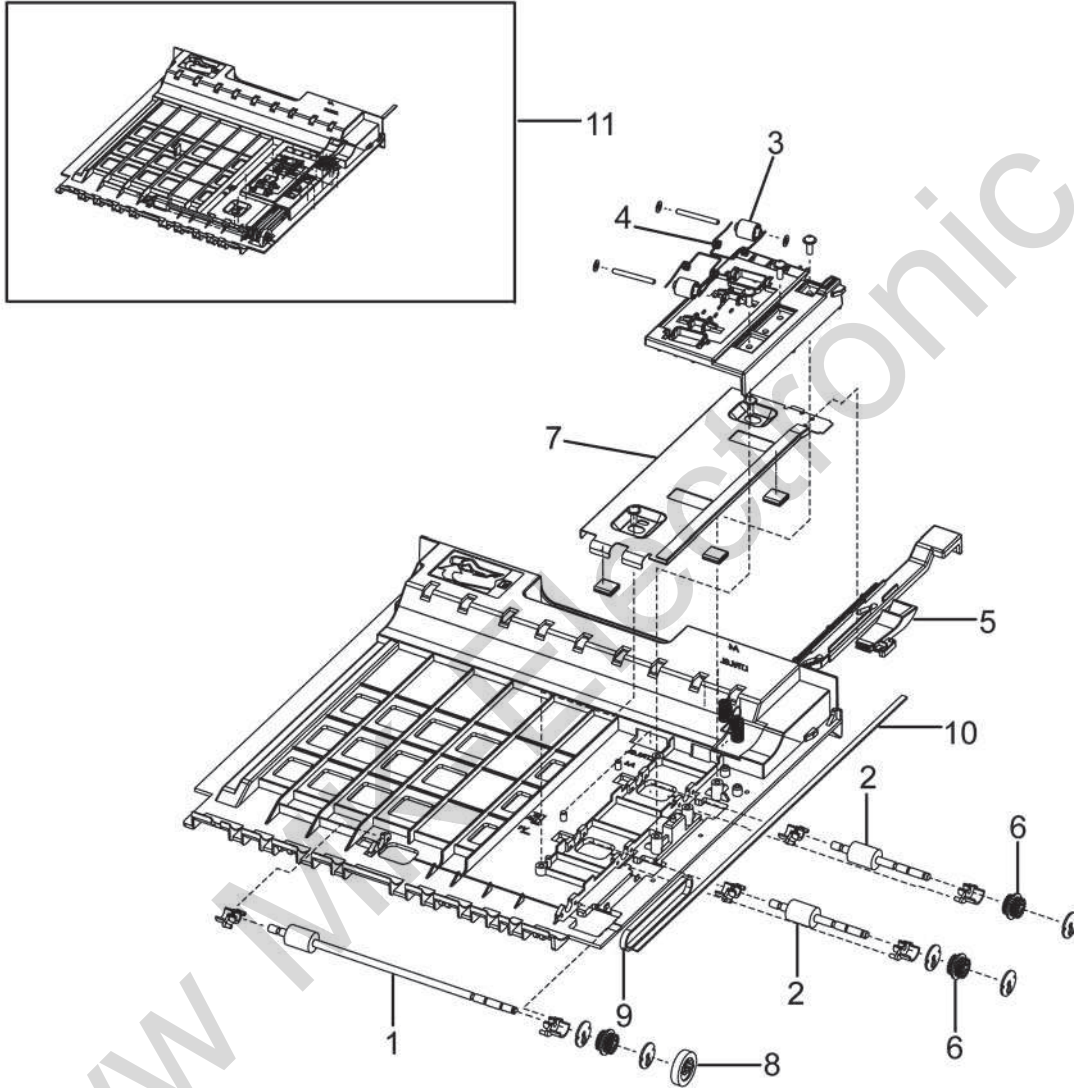


3330-0036-A

Parts List 3.6 Feed Drive

Item	Name	Part Number
1	Plain Washer	-
2	44-29 Feed Gear	-
3	19 Idle MP Gear	007N01709
4	Feed Bracket	-
5	Shaft Bush	-
6	Drive Feed	022N02858

Parts List 4.1 Duplex Assembly

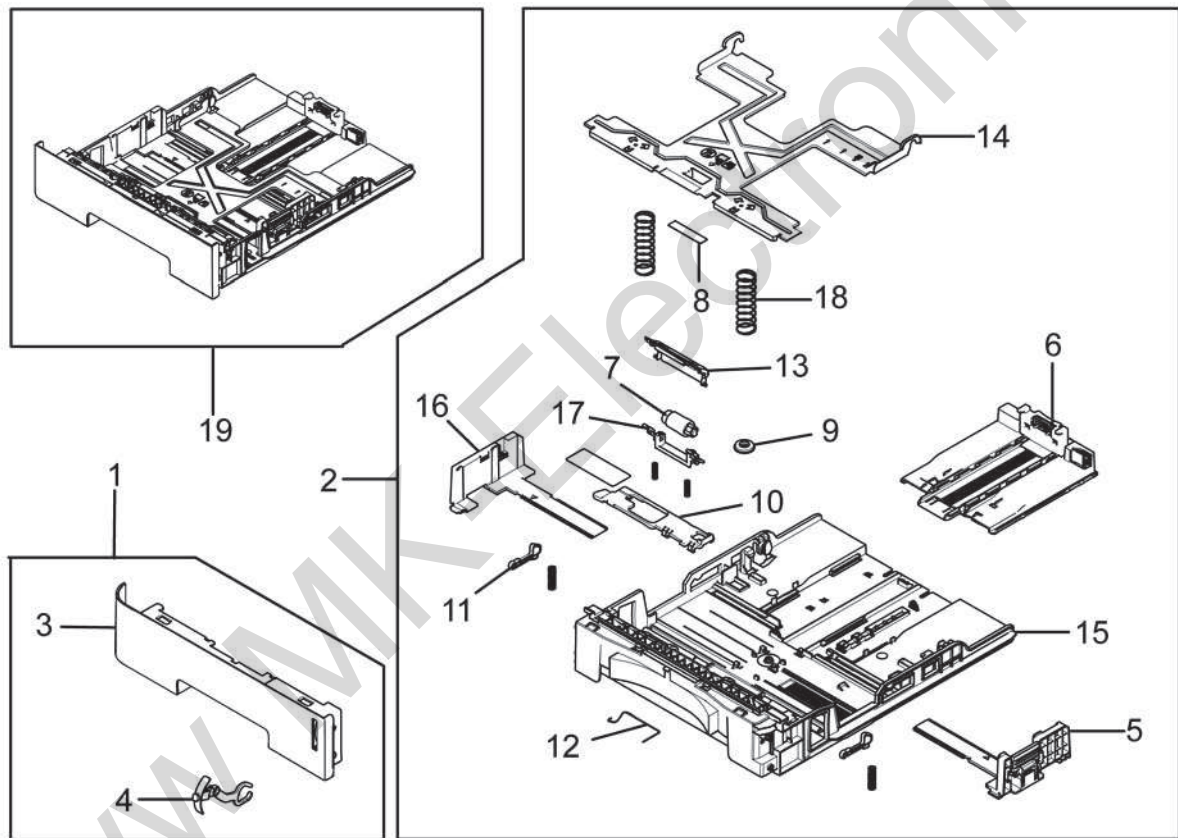


3330-0041-A

Parts List 4.1 Duplex Assembly

Item	Name	Part Number
1	Feed DUP2 Roller	-
2	Feed Dup Roller	-
3	Idle Dup M Roller	-
4	TS Spring	-
5	Paper Duplex Guide	-
6	18 Dup Pulley	-
7	Duplex Align Bracket	-
8	F/Down Exit Gear	-
9	Gear Timing Belt	-
10	Timing Belt	-
11	Duplex	022N02856

Parts List 5.1 Tray 1

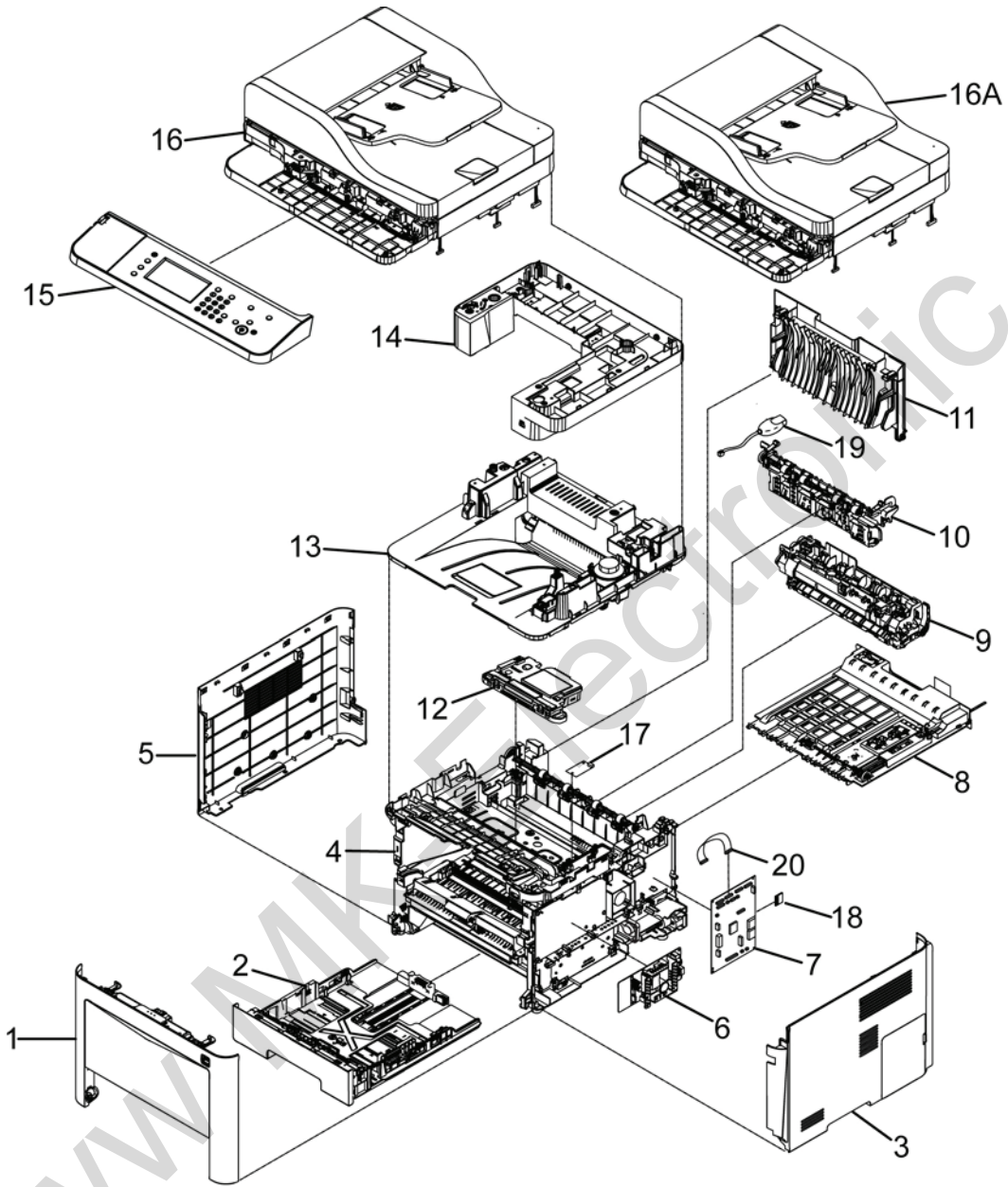


3330-0051-B

Parts List 5.1 Tray 1

Item	Name	Part Number
1	Cassette Cover Handle	-
2	Cassette Frame Assembly	-
3	Cassette Handle	-
4	Paper Indicator	-
5	Right Cassette Guide	-
6	Rear Guide Cassette	-
7	Retard Roller Cassette	Part of Tray 1 Feed Roll Maintenance Kit
8	Cassette Pad RPR (Base Plate Pad)	050N00646
9	Pinion Gear	-
10	Locker Plate	-
11	Cassette Locker	-
12	Cassette Ground	-
13	Cassette Cover	-
14	Knock Up Plate P	-
15	Cassette Frame	-
16	Left Guide Cassette	-
17	Retard Shaft Holder	-
18	CS Spring	-
19	Tray 1 Cassette Assembly	050N00694

Parts List 6.1 WorkCentre 3335/3345 Main



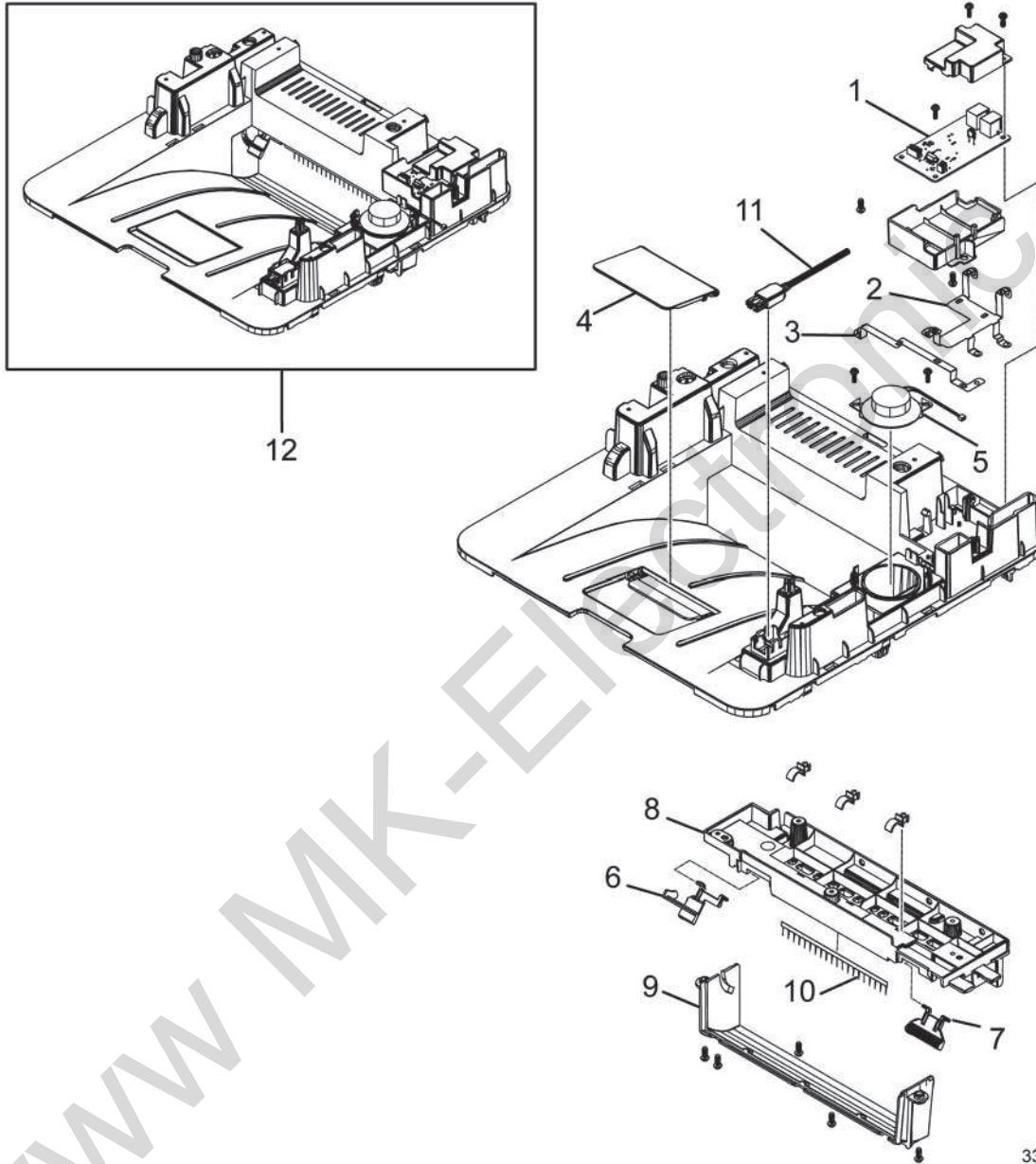
3335-0010-F

PL 6.1 WorkCentre 3335/3345 Main

Item	Name	Part Number
1	Front Cover Assembly (REF: PL 1.3)	002N03326
2	Tray 1 (REF:PL 5.1)	050N00694
3	Right Cover (REF:PL.1.2)	002N03333
4	Main Frame (REF: PL 3.1)	-
5	Left Cover	002N03332
6	SMPS (110V)	105N02330
	SMPS (220V)	105N02331
7	Main PWB (3335) (See Note)	140N63797
	Main PWB (3345) (See Note)	140N63798
8	Duplex Assembly (REF: PL 4.1)	022N02856
9	Fuser (110V) (REF: PL 3.3)	126N00410
	Fuser (220V) (REF: PL 3.3)	126N00411
10	Rear Frame (REF: PL 3.4)	001N00534
11	Rear Door	095N00415
12	LSU (Laser Unit)	130N01853
13	Lower Middle Cover	002N03336
14	Upper Middle Cover	-
15	Control Panel Assy	Refer to Parts List 10.1 WorkCentre 3335/3345 Control Panel (PL 10.1.22)
16	WorkCentre 3335 ADF (REF: PL 7.1)	-
16A	WorkCentre 3345 DADF (REF: PL 8.1)	-
17	Wireless Board	140N63805
18	SD Card	091N80340
19	Surge Protector (South Africa Only)	005N01172
20	Flat Cable (Modem Cable)	117N02065

Note: All Main PWB spare parts are configured with a SOLD service plan. Any device with a METERED billing plan will require a Plan Conversion Code to be entered to re-enable metered support. Failure to do this may result in Invalid Toner Messages. Always follow all steps outlined in the [Main PWB](#) replacement procedure.

Parts List 6.2 WorkCentre 3335/3345 Middle Cover

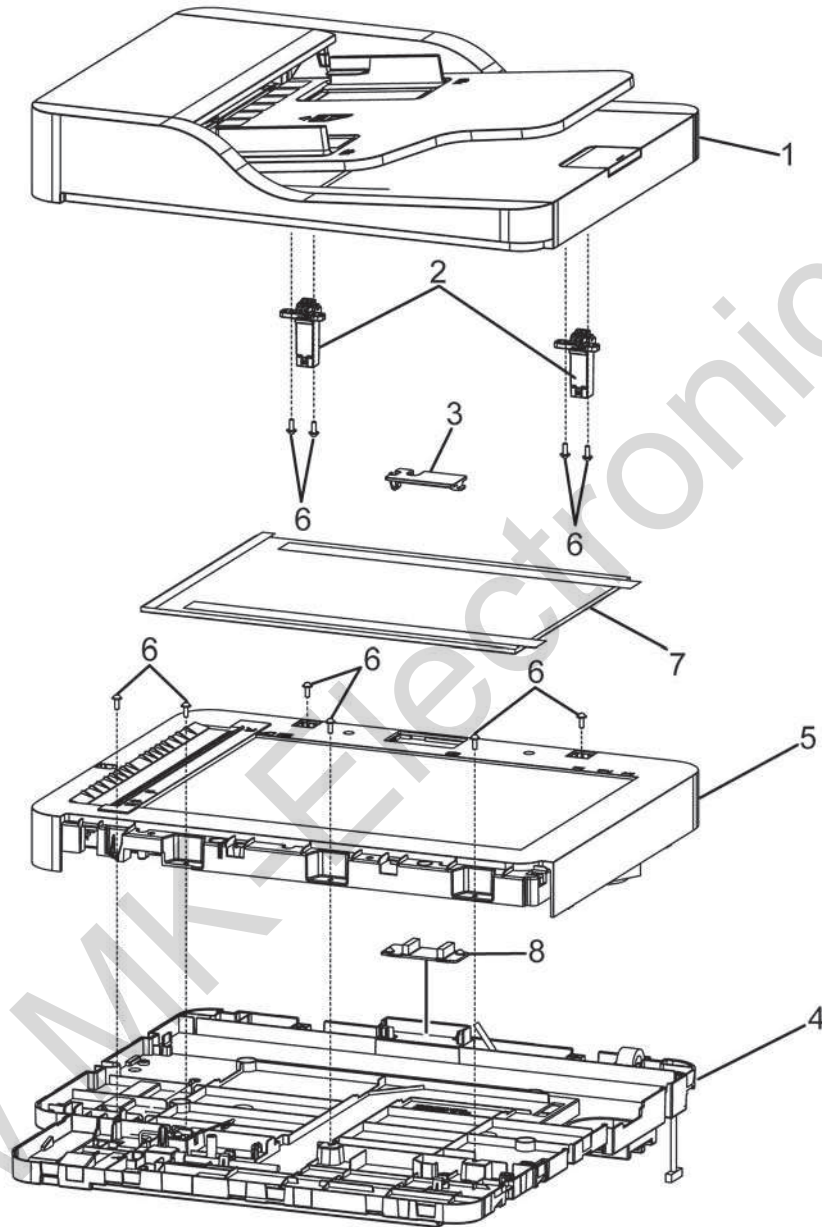


3335-0015-A

PL 6.2 WorkCentre 3335/3345 Middle Cover

Item	Name	Part Number
1	PBA Sub-Modem (Fax PBA)	140N63726
2	FAX Ground	-
3	Exit Ground	-
4	Main Stacker	-
5	Speaker	130N01532
6	Bin Full Stacker	-
7	Sub M Stacker PMO	-
8	Path Cover	-
9	Exit Cover	-
10	Antistatic Brush	-
11	USB Harness	-
12	Lower Middle Cover	095N00460

Parts List 7.1 WorkCentre 3335 SCANNER and ADF



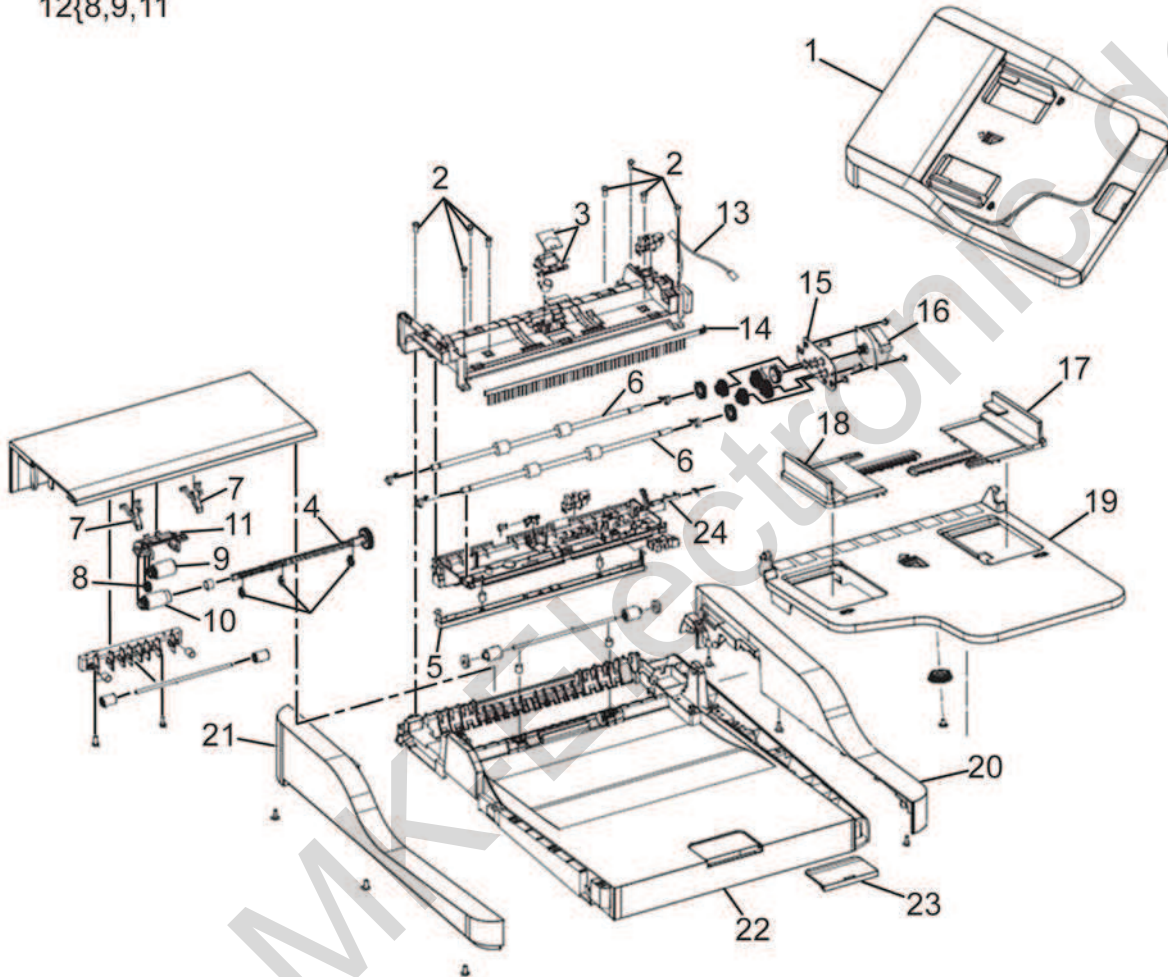
3335-0091B

Parts List 7.1 WorkCentre 3335 SCANNER and ADF

Item	Name	Part Number
1	ADF (REF:PL 7.3)	022N02859
2	Hinge	003N01117
3	Connector Cover	-
4	Lower ADF Platen	090N00187
5	Platen (REF: PL.9.2)	090N00186
6	Screw	-
7	White Sheet	055N00320
8	ADF PWB	140N63806

Parts List 7.1A WorkCentre 3335 ADF

12{8,9,11

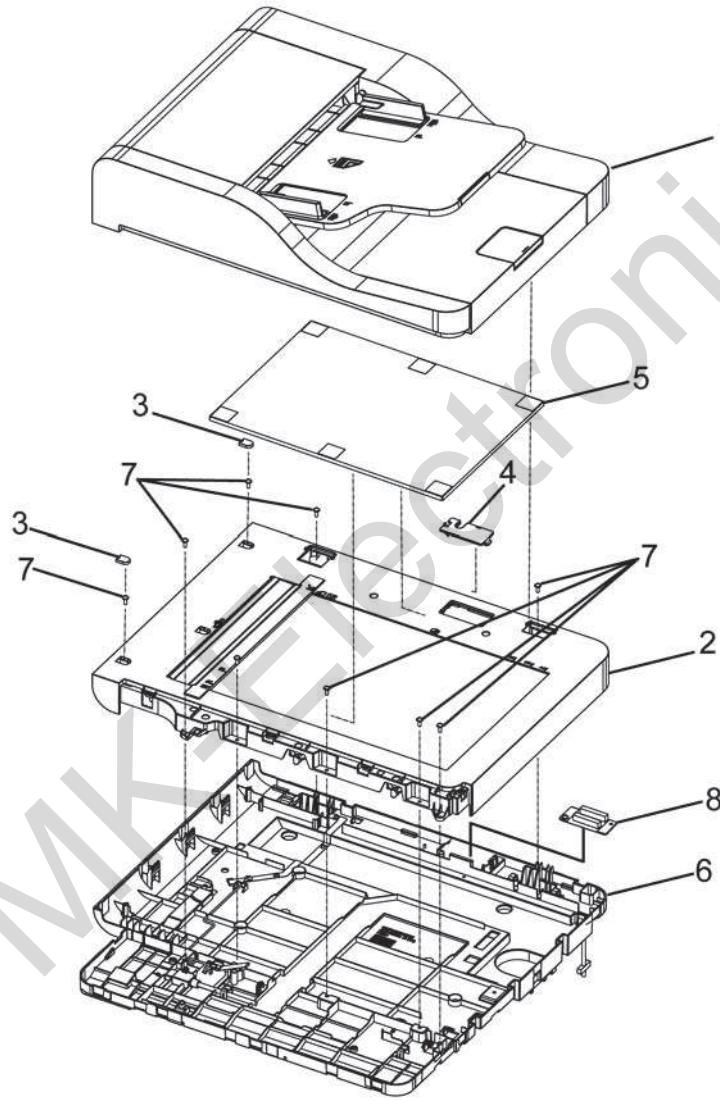


3335-0073-A

Parts List 7.1A WorkCentre 3335 ADF (2/2)

Item	Name	Part Number
1	ADF	022N02859
2	Screw	-
3	Rubber Pad	108R01472
4	Drive Gear	-
5	White Bar	025N00104
6	Roller	-
7	Paper Stopper	-
8	Idle Gear	-
9	Gear Separate Roller	-
10	Roller Pickup	130N01673
11	Pick up Housing	130N01854
12	Housing Pickup Assembly	-
13	Sensor Harness	-
14	Antistatic Brush	-
15	Motor Bracket	-
16	ADF Motor	127N07781
17	Front Edge Guide	-
18	Rear Edge Guide	-
19	Stacker	-
20	Rear ADF Cover	-
21	Front ADF Cover	-
22	Cover Platen	-
23	Slide Stopper	-
24	Position Paper Actuator	-

Parts List 8.1 WorkCentre 3345 SCANNER and DADF

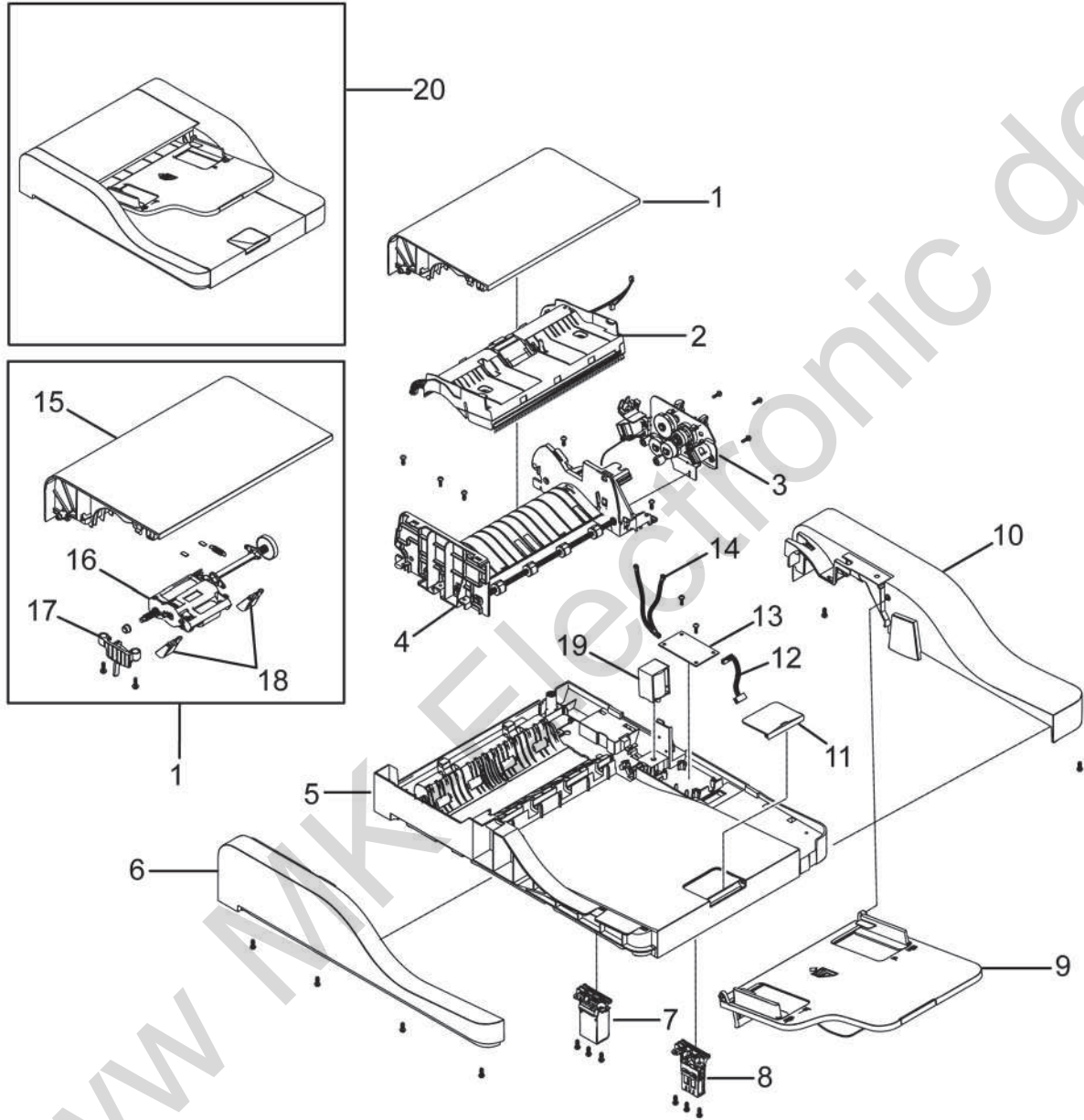


3345-0101-C

Parts List 8.1 WorkCentre 3345 SCANNER and DADF

Item	Name	Part Number
1	DADF (REF:PL 8.1A)	022N02860
2	Platen	090N00189
3	Scan Cover	-
4	Connector Cover	-
5	White Sheet	019N00810
6	Lower DADF Platen	090N00188
7	Screw	-
8	DADF PWB	-

Parts List 8.1A WorkCentre 3345 DADF

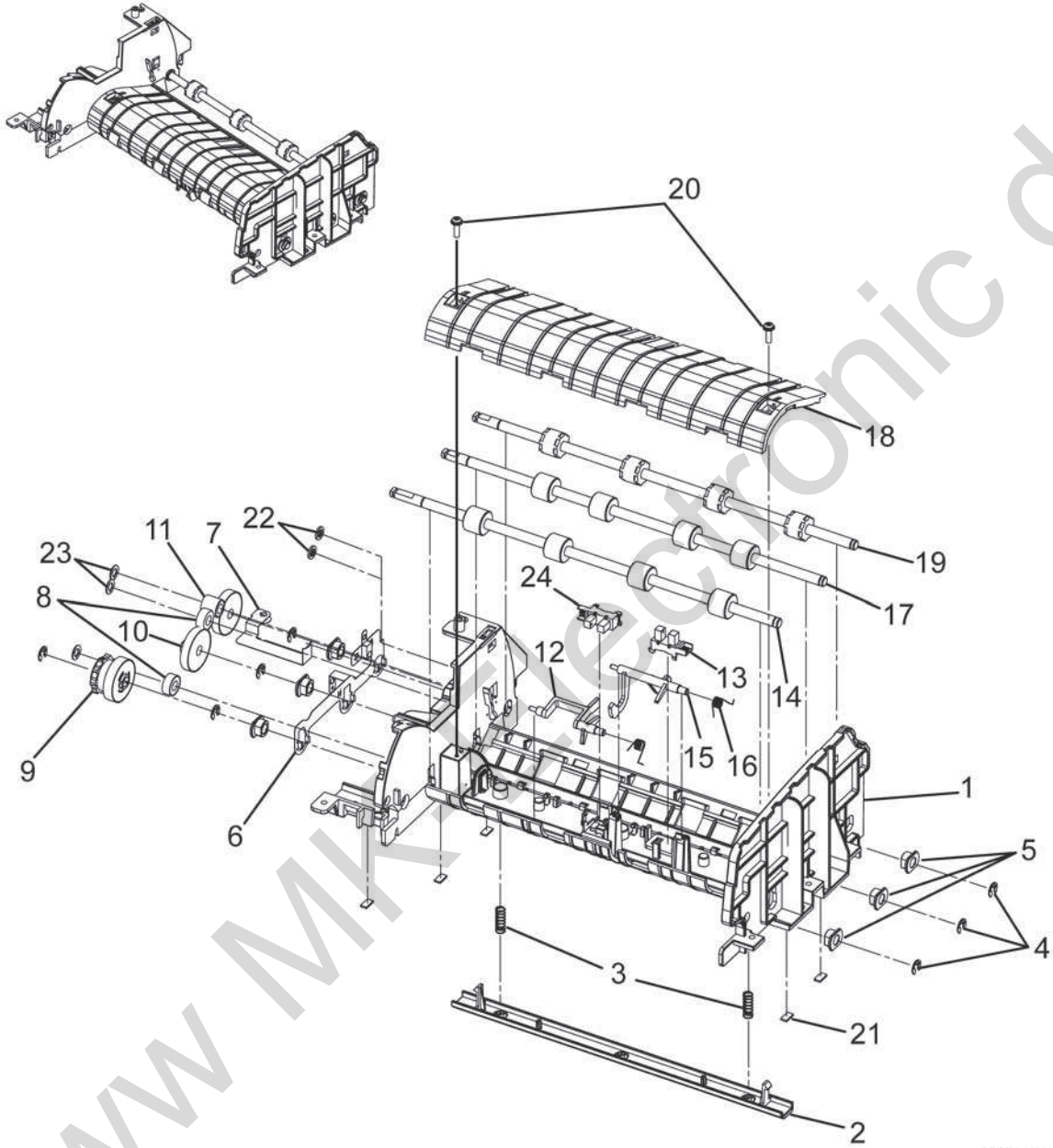


3345-0081-B

Parts List 8.1A WorkCentre 3345 DADF

Item	Name	Part Number
1	DADF Top Cover	002N03327
2	Upper DADF (REF:PL 8.3)	-
3	DADF Drive (REF:PL 8.5)	007N01829
4	Lower DADF (REF:PL 8.2)	-
5	Platen DADF	-
6	DADF Front Cover	-
7	DADF Hinge R	003N01145
8	DADF Hinge L	003N01146
9	DADF Stacker	-
10	DADF Rear Cover	-
11	Slide Stopper	-
12	DADF Harness	-
13	DADF Board	140N63807
14	Zener GND CBF Harness	-
15	Open Cover	-
16	DADF Up Pick MEA Unit	130N01855
17	Stopper MEA Unit	-
18	Sensor M DOC Guide	-
19	Lifting Solenoid	121N01160
20	DADF	022N02860

Parts List 8.2 WorkCentre 3345 Lower DADF

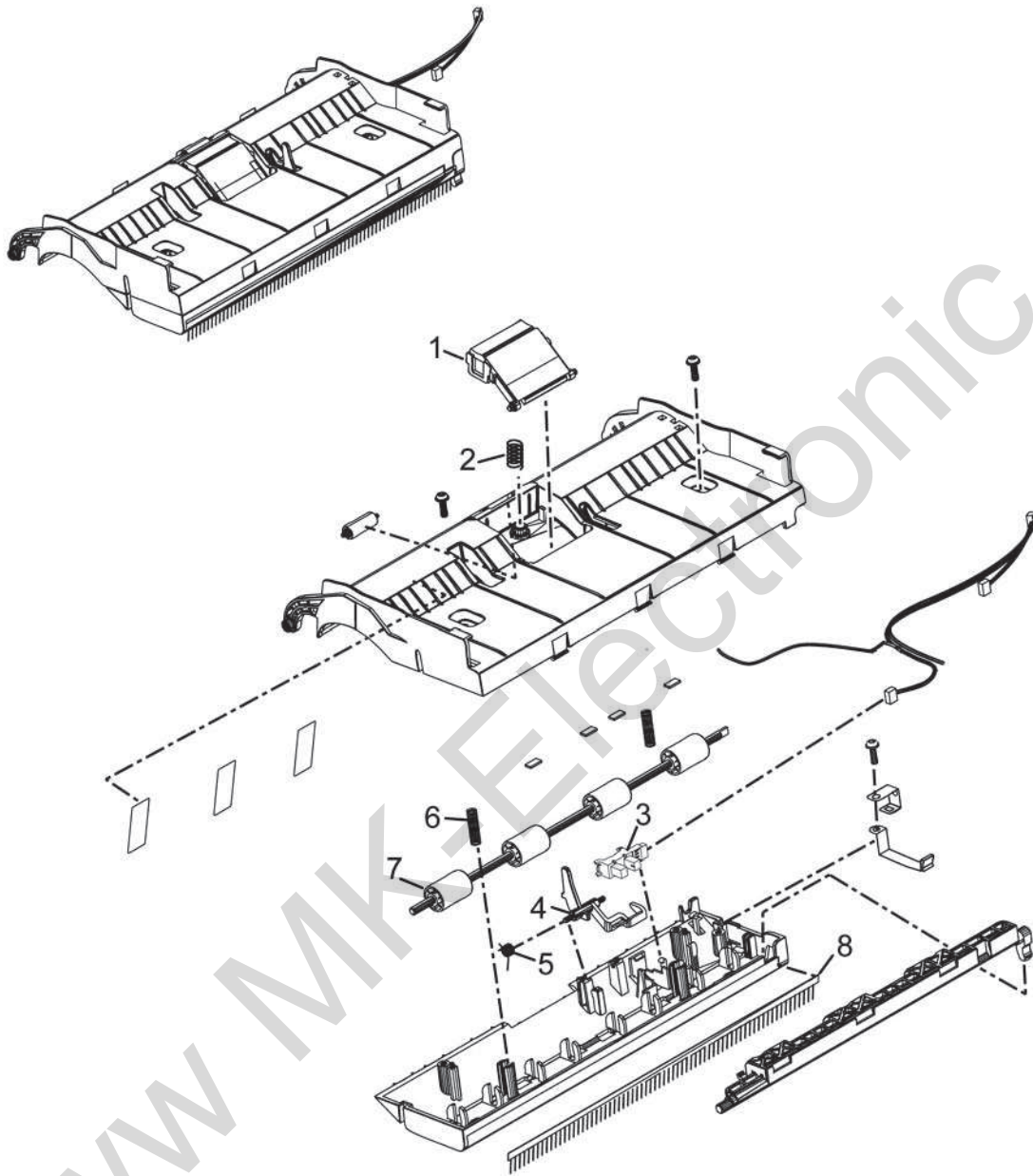


3345-0082-A

Parts List 8.2 WorkCentre 3345 Lower DADF

Item	Name	Part Number
1	DADF Lower Cover	-
2	White Bar Plate	025N00105
3	P/UP Separate ETC Spring	-
4	E Ring	-
5	6 D Bush	-
6	Exit Feed Ground	-
7	DADF Ground	-
8	D Idle Feed Gear	-
9	Feed Gear MEA	-
10	Exit Gear	-
11	C Idle Feed Gear	-
12	Feed Actuator	-
13	DADF Registration Sensor	130N01574
14	Feed Roller	022N02681
15	Regi Actuator	-
16	Doc Torsion Etc. Spring	-
17	Middle Roller	-
18	DADF Middle Roller	-
19	Exit Roller	-
20	Taptape Screw	-
21	Upper DADF Damper	-
22	CS Ring	-
23	Plain Washer	-
24	DADF Feed Sensor	130N01574

Parts List 8.3 WorkCentre 3345 Upper DADF

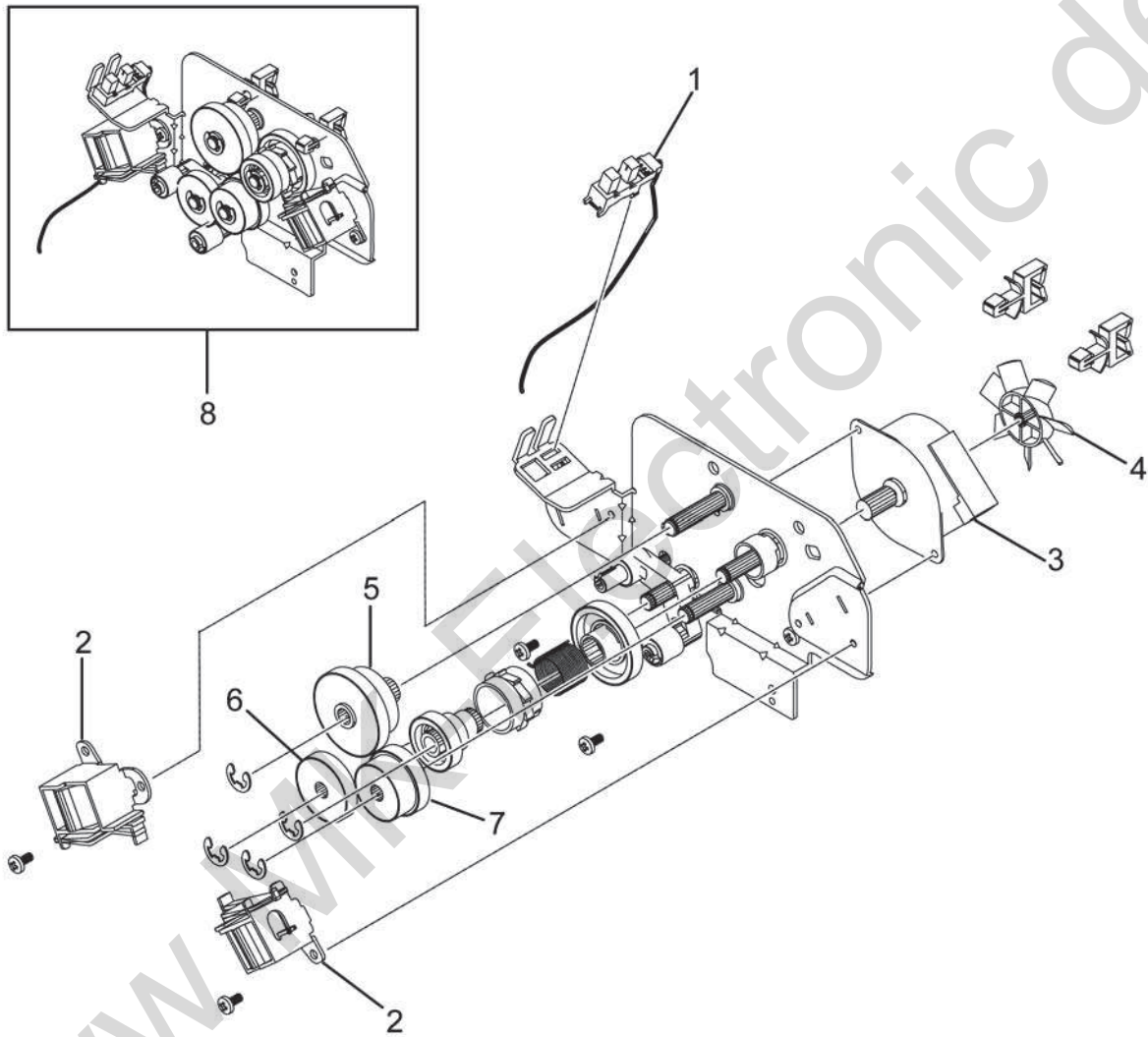


3345-0083-A

Parts List 8.3 WorkCentre 3345 Upper DADF

Item	Name	Part Number
1	Rubber DADF MEA Unit (Separator Pad)	108R01473
2	Pad ETC Spring	-
3	Paper Empty Sensor	130N01601
4	Paper Empty Actuator	-
5	Torsion Doc (CC2-F) Sprint ETC	-
6	Exit ETC Spring	-
7	SCF M Idle Roller	-
8	Antistatic Brush MEC	-

Parts List 8.5 WorkCentre 3345 Drive DADF

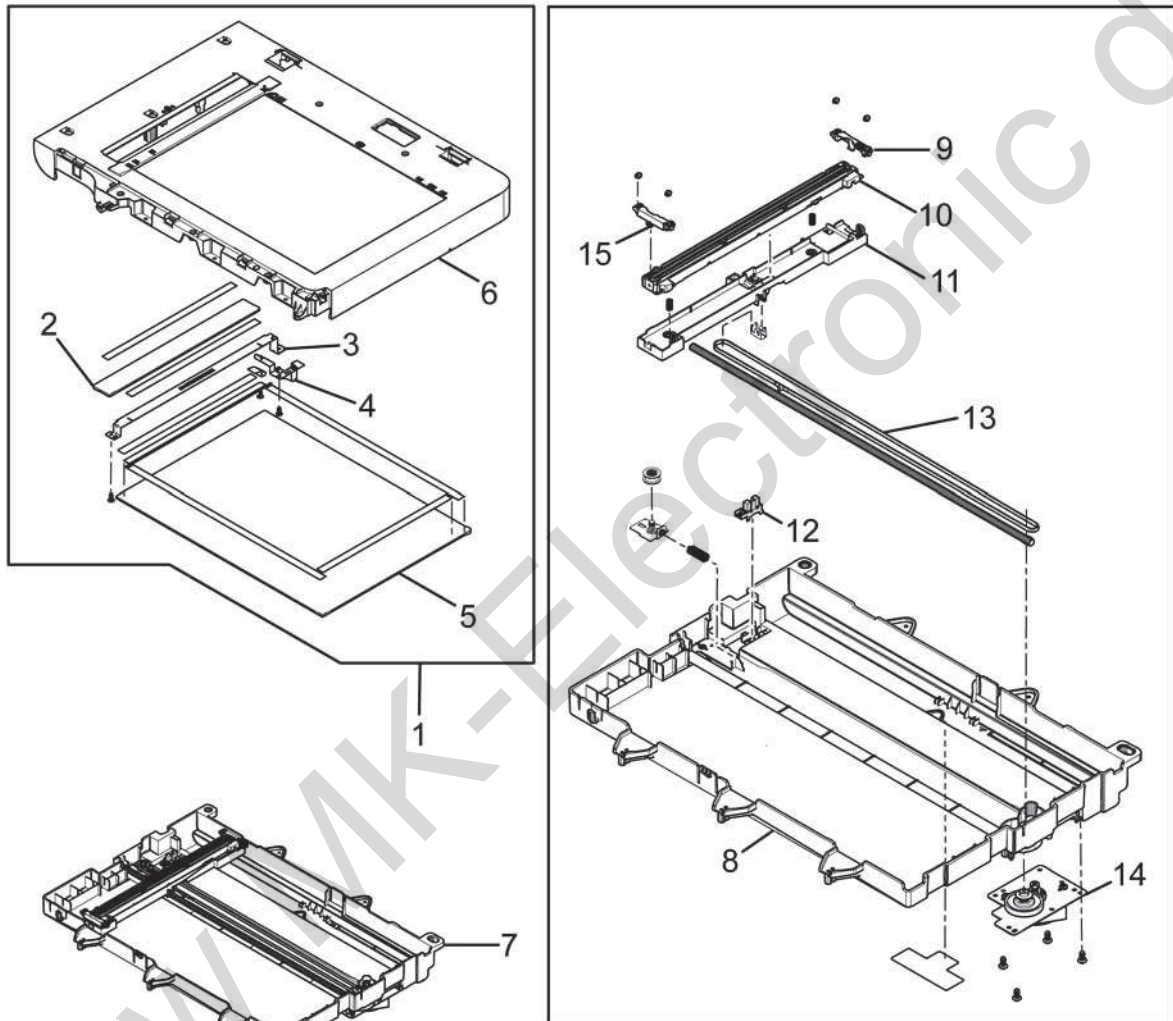


3345-0085-B

Parts List 8.5 WorkCentre 3345 Drive DADF

Item	Name	Part Number
1	DADF Solenoid Sensor	-
2	DADF Solenoid	-
3	Step Motor	-
4	ADF Impeller	-
5	Pickup Idle Gear	-
6	Feed Idle Gear B	-
7	Feed Idle Gear A	-
8	DADF Drive	007N01829

Parts List 9.2 WorkCentre 3335/3345 Platen

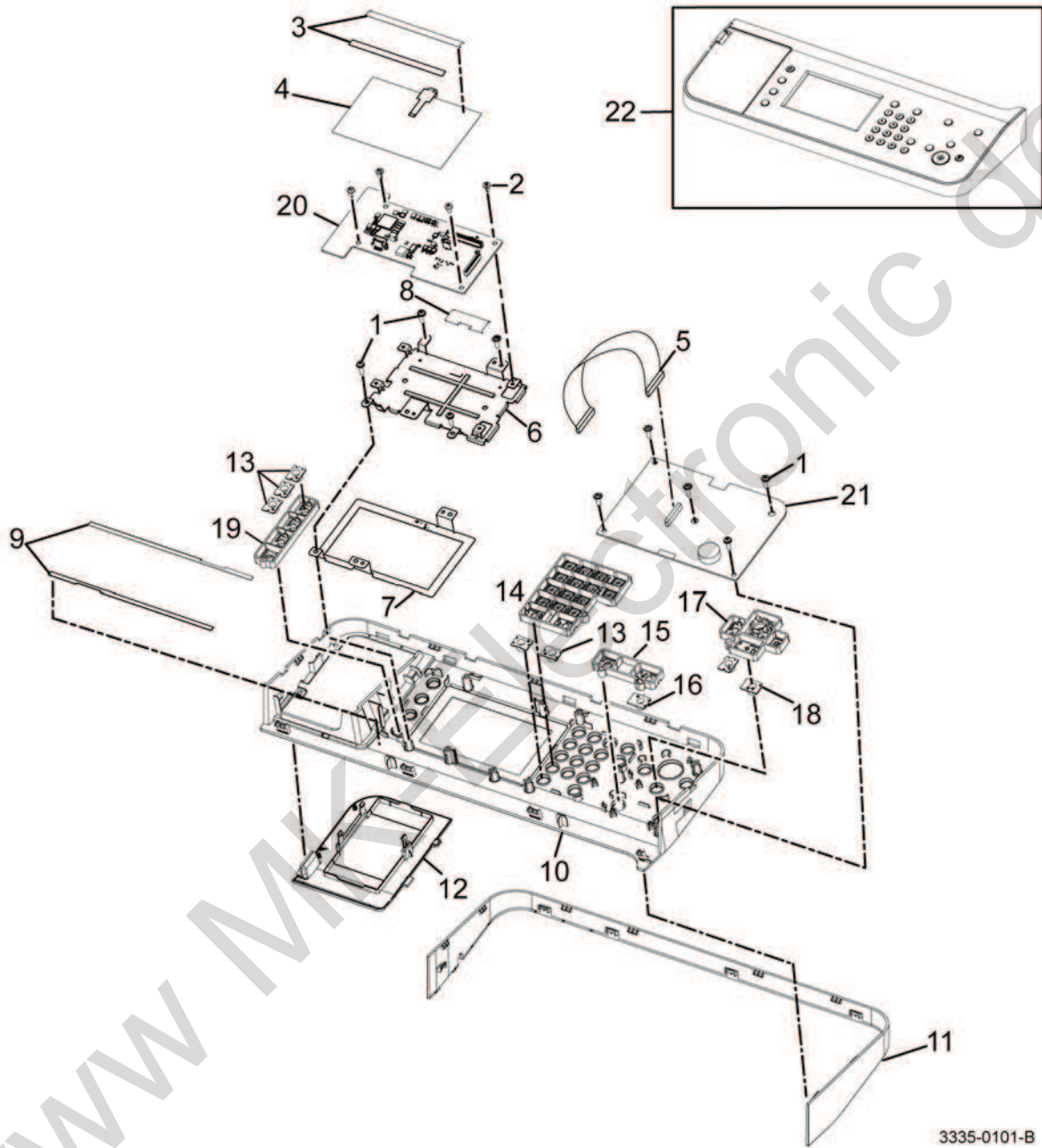


3335-0092-B

Parts List 9.2 WorkCentre 3335/3345 Platen

Item	Name	Part Number
1	Upper Platen	-
2	CVT Glass	-
3	Scan Bracket	-
4	Upper Platen Ground	-
5	Platen Glass	-
6	Upper Scan Cover	-
7	Middle Platen	-
8	Lower Scan Frame	-
9	Rear CIS Guide	-
10	Image Sensor	130N01679
11	CIS Bracket	-
12	Carriage Home Sensor	130N01574
13	Gear Timing Belt	007N01704
14	Scan Motor	007N01828
15	Front CIS Guide	-

Parts List 10.1 WorkCentre 3335/3345 Control Panel

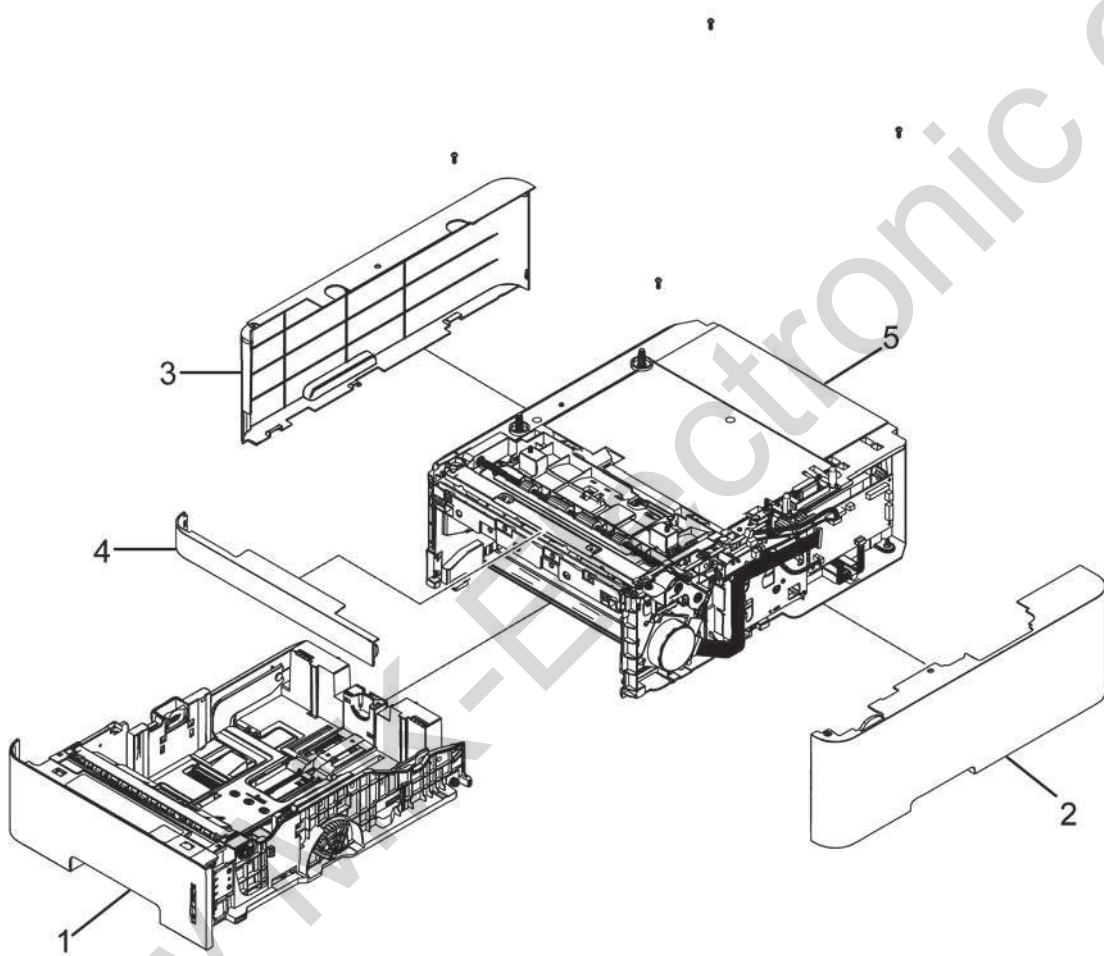


3335-0101-B

Parts List 10.1 WorkCentre 3335/3345 Control Panel

Item	Name	Part Number
1	Screw	-
2	Screw	-
3	Double Face Tape	-
4	LCD	-
5	Flat Cable	-
6	Plate	-
7	LSD Plate	-
8	Connector Insulation	-
9	LSD Seal	-
10	Control Panel Cover	-
11	DECO Control Panel Cover	-
12	Card Reader Cover	-
13	Function Key	-
14	Numerical Key	-
15	Extra Key	-
16	Power Save Key	-
17	Start Key	-
18	Clear Key	-
19	Home Key	-
20	Control Panel Board	-
21	Key PWB	140N63799
22	Control Panel Assy (3335)	140N63801
	Control Panel Assy (3345)	140N63800

Parts List 12.1 Optional Tray 2 Feeder Main

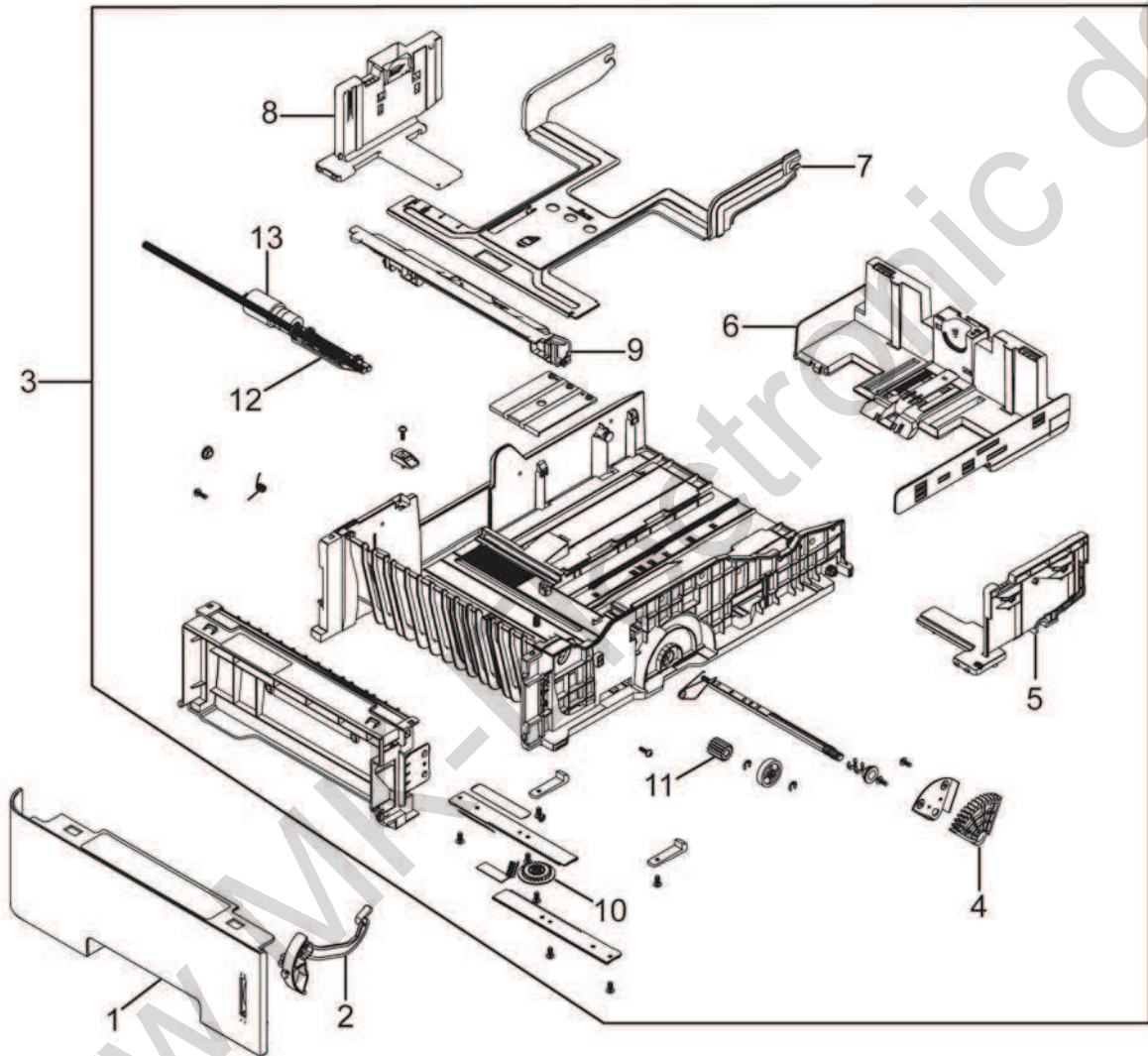


SCF-0010-A

Parts List 12.1 Optional Tray 2 Feeder Main

Item	Name	Part Number
1	Cassette A/S Assy	050N00695
2	Right Cover Optional Tray 2 Feeder	002N03328
3	Left Cover Optional Tray 2 Feeder	002N03329
4	Front Dummy Cover Optional Tray 2 Feeder	-
5	Frame-ETC	-

Parts List 12.2 Optional Tray Cassette A/S Assy

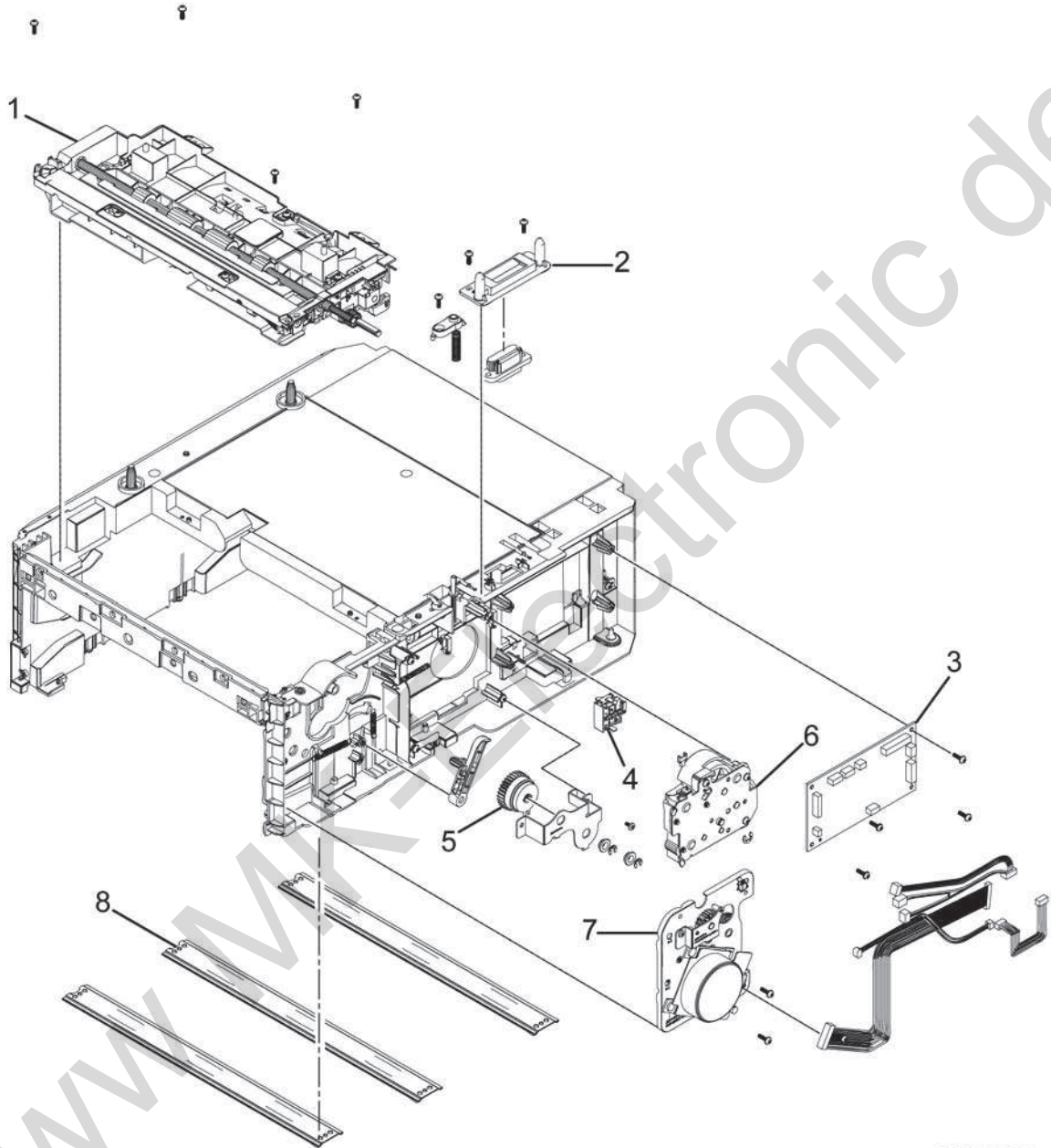


SCF-0020-A

Parts List 12.2 Optional Cassette A/S Assy

Item	Name	Part Number
1	Cassette Handle	-
2	Paper Indicator CSP	-
3	Cassette Frame	-
4	Lifting Gear CSP	-
5	Right Cassette Side	-
6	Rear Cassette Paper Guide	-
7	Knock up Plate CSP	-
8	Left Cassette Side	-
9	Retard Cap CSP	-
10	M Pinion Gear	-
11	Idle Retard Gear CSP	-
12	Cassette Retard	Part of Tray 2 Feed Roll Maintenance Kit
13	MEA Unit-Roller PU	Part of Tray 2 Feed Roll Maintenance Kit

Parts List 12.3 Optional Tray Frame ETS

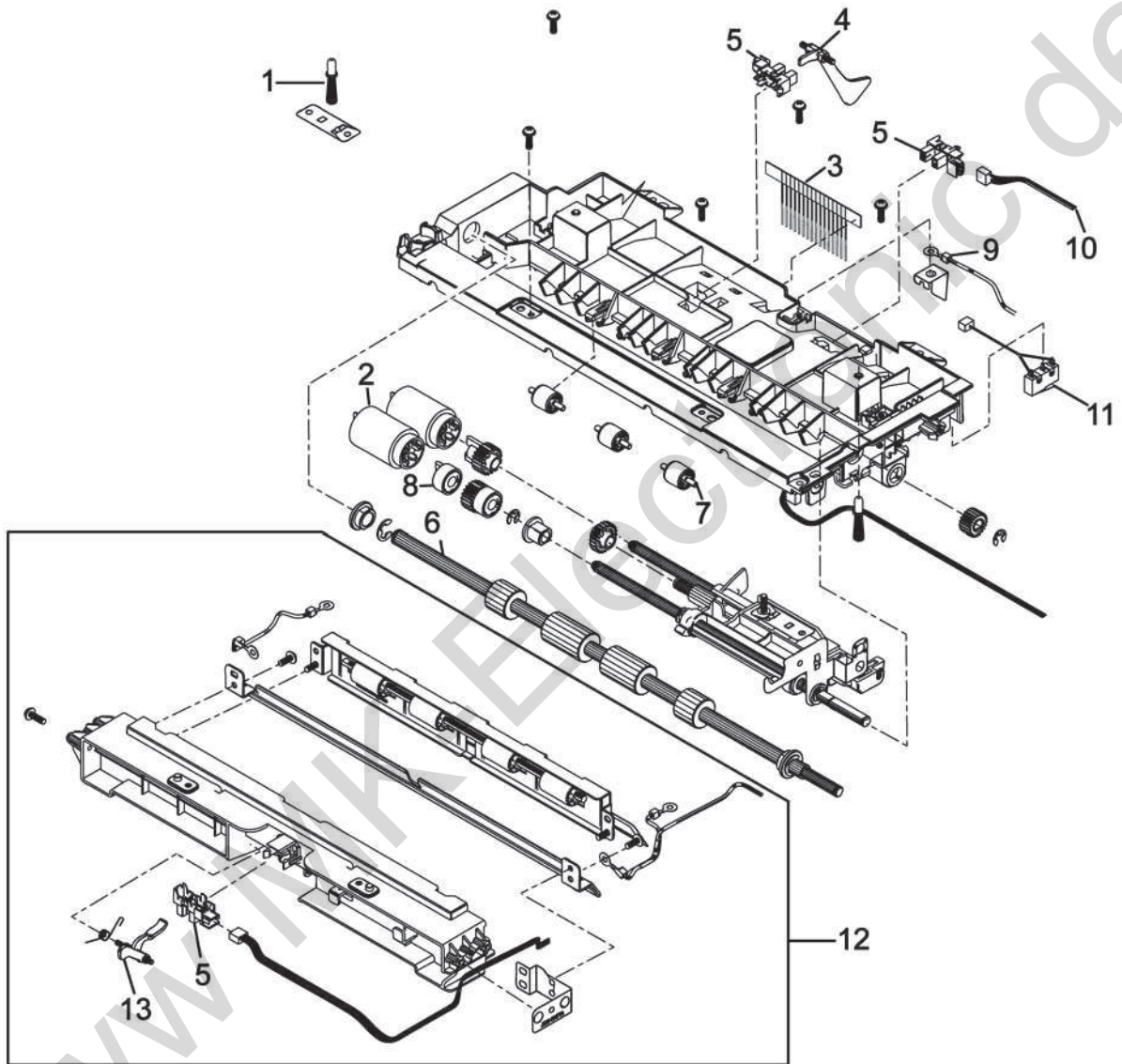


SCF-0030-A

Parts List 12.3 Optional Tray Frame ETS

Item	Name	Part Number
1	Pick Up Unit Assembly	130N01856
2	Connector Holder Optional Tray 2 Feeder	-
3	Main PWB A/S (Optional Tray Feeder Board)	140N63809
4	Signal Switch	110N01524
5	Electric Clutch	121N01220
6	Feed Drive	120N00559
7	Drive Unit A/S Assy	007N01710
8	Bottom Frame Plate	-

Parts List 12.4 Optional Tray Feeder Pick Up Unit Assy



SCF-0031-A

Parts List 12.4 Optional Tray Feeder Pick Up Unit Assy

Item	Name	Part Number
1	Terminal MEA Unit	-
2	Roller MEA Unit	108R01471
3	Pick Brush	-
4	Paper Empty Actuator	-
5	Paper Empty Sensor	-
6	REGI Roller	-
7	Idle Roller-M	-
8	Idle One Way Holder-M	-
9	Harness-GND	-
10	Feed Sensor Harness	-
11	Motor SW Harness	-
12	A/S Com-Frame Feed	-
13	CSP-SCF Actuator Feed	-

Xerox Supplies and Accessories

Consumables and Maintenance Items

Starter Cartridges (For Parts Identification Only - Not field orderable)

Description	Part Number
2.6K Sold Neutral Toner (Not orderable)	650N05434
11K Metered Toner (Not orderable)	650N05436
30K Drum Cartridge (Not orderable)	650N05435

Replacement Cartridges

Description	Part Number
NA/XE Toner Cartridges	
Standard-Capacity (2.6K) (Sold)	106R03620
High-Capacity (8.5K) (Sold)	106R03622
Extra High-Capacity (15K) (Sold)	106R03624
DMO Toner Cartridges	
High-Capacity (8.5K) (Sold)	106R03621
Extra High-Capacity (15K) (Sold)	106R03623
WW Toner Cartridges	
WW Metered (11K) (Metered)	106R03625

Description	Part Number
Drum Cartridges	
Drum Cartridge (OPC Drum) Universal Word Wide	101R00555

Power Cords

Description	Part Number
Power Cord, 110V	105N02072
Power cord, 220V	117N01769

Maintenance Kits

Description	Part Number
Bias Transfer Maintenance Kit	108R01469
Tray 1 Feed Roll Maintenance Kit	108R01470
Tray 2 Feed Roll Maintenance Kit	108R01471
ADF Pad Maintenance Kit(3335)	108R01472
DADF Pad Maintenance Kit(3345)	108R01473

www MK-Electronic de